

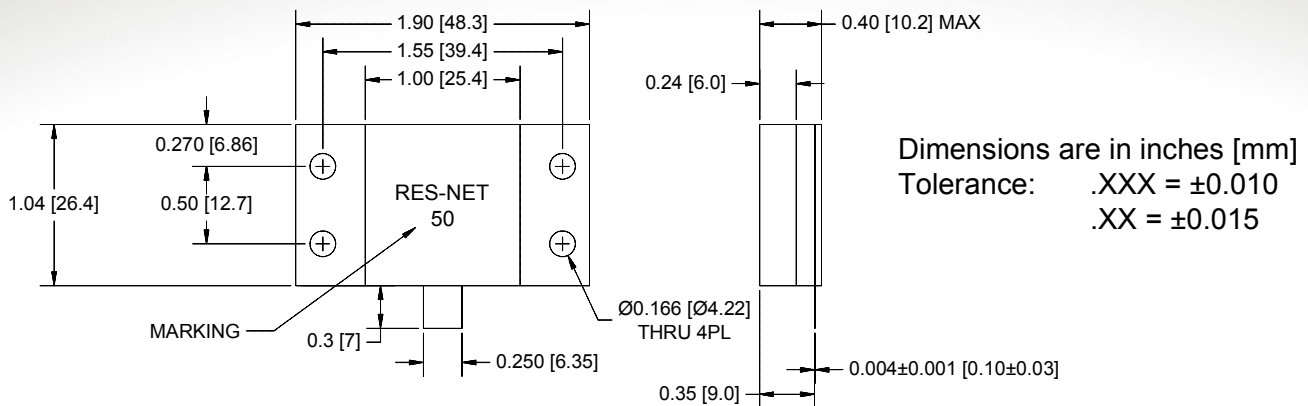
# RPT1900-1200-50-5

## HIGH POWER FLANGE TERMINATION

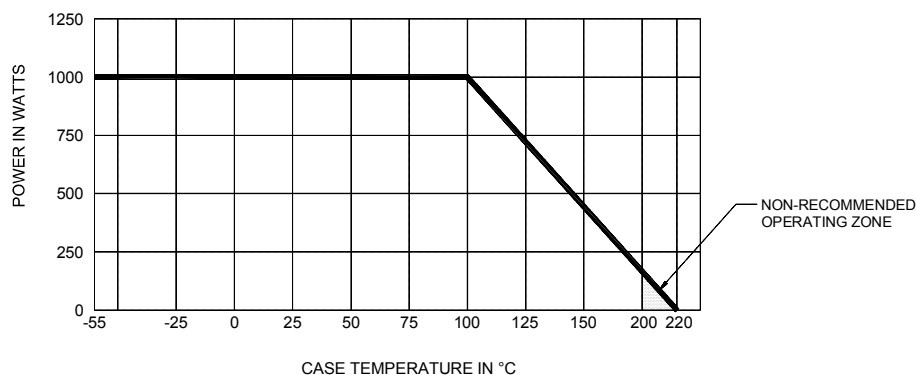
- Beryllium Oxide Substrate
- Thick Film
- Silver Plated Beryllium Copper Tab
- Nickel Plated Copper Mounting Flange
- Alumina Cover

### ELECTRICAL SPECIFICATIONS

FREQ (MHz)	IMPEDANCE (Ohms)	Max VSWR	Temperature Range	Power Rating
DC-1000	50	1.25:1	-55° to +200°C	1200 W



DERATING CURVE



P.O Box 18802  
Clearwater, FL 33760  
727.530.9555 PH  
727.535.3508 FX

[www.res-netmicrowave.com](http://www.res-netmicrowave.com)

REV. A  
7/11/14

