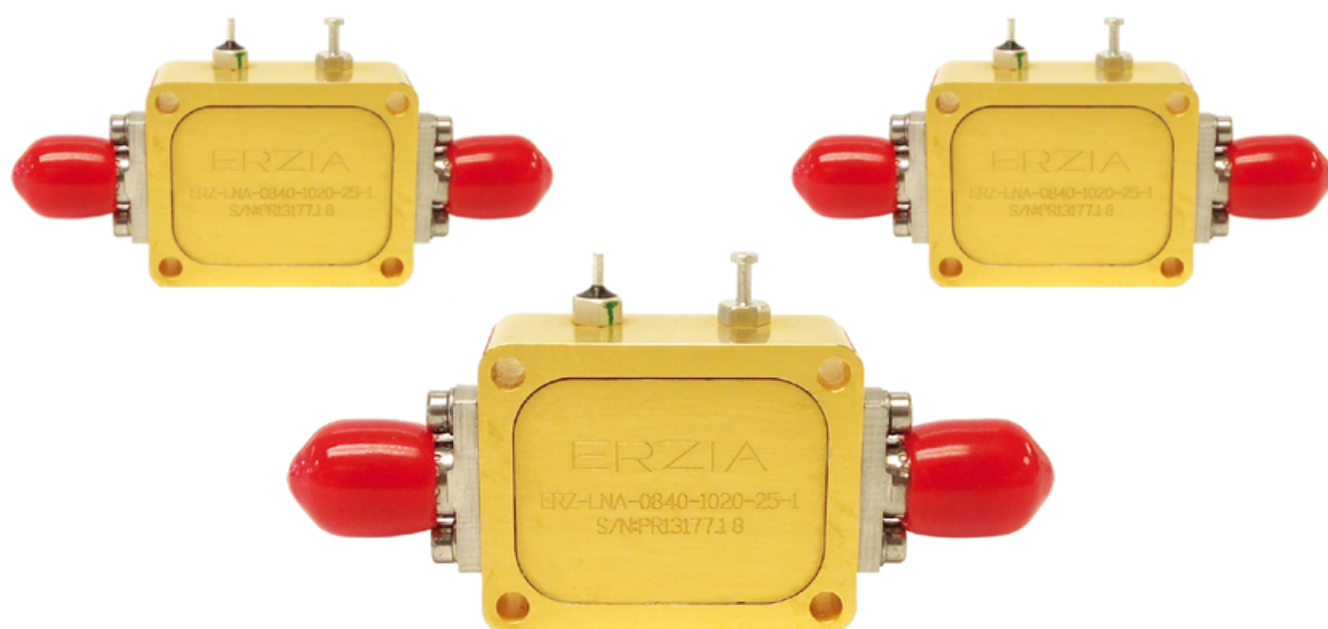


# ERZIA

## Microwave and Millimeter Wave Amplifiers



**FROM DC TO 119 GHz.**

We customize.

## 2-6 GHz Power Amplifiers

Part Number	F.Min, GHz	F.Max, GHz	Psat, dBm	Gain, dB	Housing
ERZ-HPA-0500-0600-25	5	6	25	24	M1
ERZ-HPA-0570-0590-42	5,7	5,9	42	40	Contact us
ERZ-HPA-0490-0525-43	4,9	5,25	43	45	Contact us
ERZ-HPA-0440-0500-40	4,4	5	40	37	Contact us
ERZ-HPA-0200-0400-24	2	4	24	23	M3
ERZ-HPA-0280-0330-40	2,8	3,3	40	38	Contact us

## X BAND Power Amplifiers

Part Number	F.Min, GHz	F.Max, GHz	Psat, dBm	Gain, dB	Housing
ERZ-HPA-0900-1400-34	9	14	34	35	M2
ERZ-HPA-0600-1000-31	6	10	31	23	M1
ERZ-HPA-0790-0840-37-E	7,9	8,4	37	36	Contact us
ERZ-HPA-0950-1050-50	9,5	10,5	50	50	Contact us

## Ku BAND Power Amplifiers

Part Number	F.Min, GHz	F.Max, GHz	Psat, dBm	Gain, dB	Housing
ERZ-HPA-1200-1900-29	12	19	29	27	M2
ERZ-HPA-1680-1800-33	16,8	18	36	25	Contact us
ERZ-HPA-1200-1800-27	12	18	27	14	M2
ERZ-HPA-1300-1600-38	13	16	36	24	Contact us
ERZ-HPA-1200-1600-26	12	16	26	23	M1
ERZ-HPA-1250-1550-34	12,5	15,5	34	27	M2

## K BAND Power Amplifiers

Part Number	F.Min, GHz	F.Max, GHz	Psat, dBm	Gain, dB	Housing
ERZ-HPA-1600-3300-24	16	33	24	17	M3
ERZ-HPA-1600-3300-24-E	16	33	24	34	M1
ERZ-HPA-1500-2700-29	15	27	29	17	M1
ERZ-HPA-1500-2700-29-E	15	27	29	34	M2
ERZ-HPA-2100-2650-27	21	26,5	27	28	M1
ERZ-HPA-1700-2600-25	17	26	25	22	M3
ERZ-HPA-1600-2400-31	17	24	31	23	M2
ERZ-HPA-1600-2400-31-E	17	24	31	38	M2
ERZ-HPA-1600-2400-29	16	24	29	22	M3
ERZ-HPA-1600-2400-29-E	16	24	29	39	M1

## Ka BAND Power Amplifiers (1/2)

Part Number	F.Min [GHz]	F.Max [GHz]	Psat [dBm]	Gain [dB]	Housing
ERZ-HPA-2000-4500-24	20	45	24	20	M3
ERZ-HPA-1700-4300-22-E	17	43	22	45	M1
ERZ-HPA-1700-4300-22	17	43	22	25	M3
ERZ-HPA-2700-4200-27	27	42	27	30	M2
ERZ-HPA-3000-4200-26	30	42	26	41	M2
ERZ-HPA-3000-4200-14	30	42	14	21	M3
ERZ-HPA-2400-4100-33	24	41	33	28	Contact us
ERZ-HPA-3000-4000-32	30	40	32	18	M2
ERZ-HPA-3000-4000-32-E	30	40	32	39	M2
ERZ-HPA-2000-4000-24	20	40	24	20	M3
ERZ-HPA-2000-4000-20	20	40	20	22	M3
ERZ-HPA-1900-3800-21	19	38	21	20	M3
ERZ-HPA-3200-3800-25	32	38	25	32	Contact us
ERZ-HPA-3100-3700-34	31	37	34	19	M2
ERZ-HPA-2300-3700-25	23	37	24	20	M1
ERZ-HPA-2300-3700-27	23	37	27	21	M1
ERZ-HPA-2400-3600-27	24	36	27	35	M2
ERZ-HPA-2500-3500-25	25	35	25	18	M2
ERZ-HPA-2500-3500-25-E	25	35	25	35	M1
ERZ-HPA-3100-3500-33	31	35	33	19	M2
ERZ-HPA-2800-3300-33	28	33	33	16	M3
ERZ-HPA-2800-3200-32	28	32	32	20	M2
ERZ-HPA-2000-3300-20	20	33	20	22	M3
ERZ-HPA-2900-3100-37	29	31	37	21	Contact us
ERZ-HPA-2900-3100-37-E	29	31	37	38	Contact us
ERZ-HPA-2400-3100-35	24	31	35	23	M2

## Ka BAND Power Amplifiers (2/2)

Part Number	F.Min [GHz]	F.Max [GHz]	Psat [dBm]	Gain [dB]	Housing
ERZ-HPA-2500-3100-35-E	25	31	35	40	M2
ERZ-HPA-2800-3000-29	28	30	29	18	M2
ERZ-HPA-2600-2800-22	26	28	22	19	M1
ERZ-HPA-2600-2800-36	26	28	36	22	M2
ERZ-HPA-2300-2800-32	23	28	32	22	M2
ERZ-HPA-2300-2800-21	23	28	21	17	M1

## Q BAND Power Amplifiers

Part Number	F.Min [GHz]	F.Max [GHz]	Psat [dBm]	Gain [dB]	Housing
ERZ-HPA-7100-8300-25	71	83	25	17	Contact us
ERZ-HPA-7500-8300-27	75	83	27	17	Contact us
ERZ-MPA-7500-8300-13	75	83	13	18	Contact us
ERZ-HPA-5000-6600-19	50	66	17	20	Contact us
ERZ-HPA-3300-4700-29	33	47	29	30	M2
ERZ-HPA-3300-4700-27	33	47	27	16	M1
ERZ-HPA-3300-4700-27-E	33	47	27	25	M2
ERZ-HPA-3300-4700-24	33	47	24	17	M1
ERZ-HPA-4100-4600-32	41	46	32	31	M2
ERZ-HPA-4100-4600-30	41	46	30	28	Contact us
ERZ-HPA-4300-4600-30	43	46	30	27	Contact us
ERZ-HPA-4100-4500-18-E	41	45	18	28	M2
ERZ-HPA-4100-4500-18	41	45	18	14	M1
ERZ-HPA-4000-4500-28-E	40	45	28	23	M2
ERZ-HPA-4000-4500-28	40	45	28	10	M1
ERZ-HPA-3300-4500-23-E	33	45	23	30	M2
ERZ-HPA-3300-4500-23	33	45	23	15	M1

## WideBand Power Amplifiers

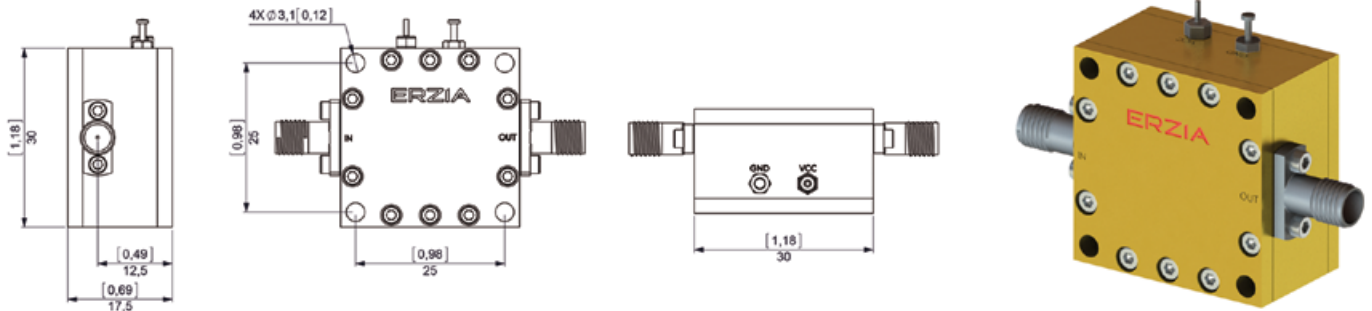
Part Number	F.Min, GHz	F.Max, GHz	Psat, dBm	Gain, dB	Housing
ERZ-HPA-0500-2300-20	5	23	20	19	M3
ERZ-HPA-0500-1800-32	6	18	32	23	M2
ERZ-HPA-0100-1800-21	1	18	21	14	M3

## Low Noise Amplifiers

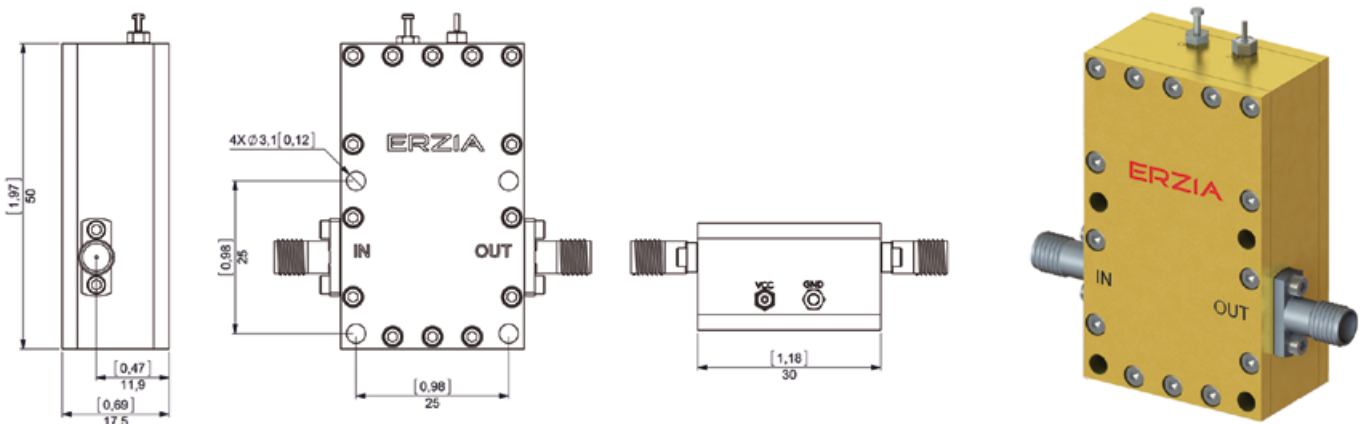
Part Number	F.Min [GHz]	F.Max [GHz]	Gain [dB]	NF [dB]	Psat [dBm]	Housing
ERZ-LNA-10800-11900-18-5	108	119	18	5	0	Contact us
ERZ-LNA-9300-9500-20-4	93	95	20	4	1	Contact us
ERZ-LNA-0200-4500-15-4	2	45	15	4	10	M3
ERZ-LNA-1800-4000-15-4	18	40	15	4	18	M3
ERZ-LNA-2600-4000-50-2.5	26	40	50	2.5	14	M1
ERZ-LNA-2900-4000-34-2.5	26	40	34	2.5	11	M1
ERZ-LNA-2900-4000-30-2.5	26	40	30	2.5	11	M1
ERZ-LNA-3600-4000-29-3.5	36	40	29	3.5	10	M3
ERZ-LNA-0200-3300-30-4	2	33	30	4	16	M2
ERZ-LNA-1800-3200-21-3	18	32	21	3	9	M3
ERZ-LNA-1250-3000-25-2.5	12.5	30	25	2.5	14	M3
ERZ-LNA-2000-3000-17-2.5	20	30	17	2.5	7	M3
ERZ-LNA-1000-2700-30-4	10	27.5	30	4	22	M2
ERZ-LNA-1700-2400-25-2.5	17	24	25	2.5	14	M3
ERZ-LNA-1770-2200-70-2	17.7	22	70	2	10	Custom
ERZ-LNA-0200-1800-30-2	2	18	30	2	18	M2
ERZ-LNA-0200-1800-23-2.5	2	18	23	2.5	15	M3
ERZ-LNA-1250-1780-30-3	12.5	17.8	30	3	11	Contact us
ERZ-LNA-0600-1700-20-2	6	17	20	2	17	M3
ERZ-LNA-1250-1700-33-3	12.5	17	33	3	14	M3
ERZ-LNA-1000-1600-15-2.5	10	16	15	2.5	10	M3
ERZ-LNA-0700-1400-16-2	7	14	16	2	10	M3
ERZ-LNA-0800-1220-26-2	7	12	26	2	21	M1
ERZ-LNA-0840-1020-21-1.5	8.4	10.2	25	1.5	11	Contact us
ERZ-LNA-0300-0930-30-2	3	9.3	30	2	19	M2
ERZ-LNA-0300-0800-23-2	3	8	23	2	12	M1
ERZ-LNA-0300-0800-13-2	3	8	13	2	19	M3
ERZ-LNA-0100-0310-30-2	1	3.1	30	1.6	19	M2
ERZ-LNA-0070-0300-20-0.7	0.7	3	22	0.7	20	M3
ERZ-LNA-0125-0175-27-2	1.25	1.75	27	2	15	M3
ERZ-LNA-0007-0110-28-2	0.07	1.1	28	2	17	M2

# MECHANICAL HOUSINGS

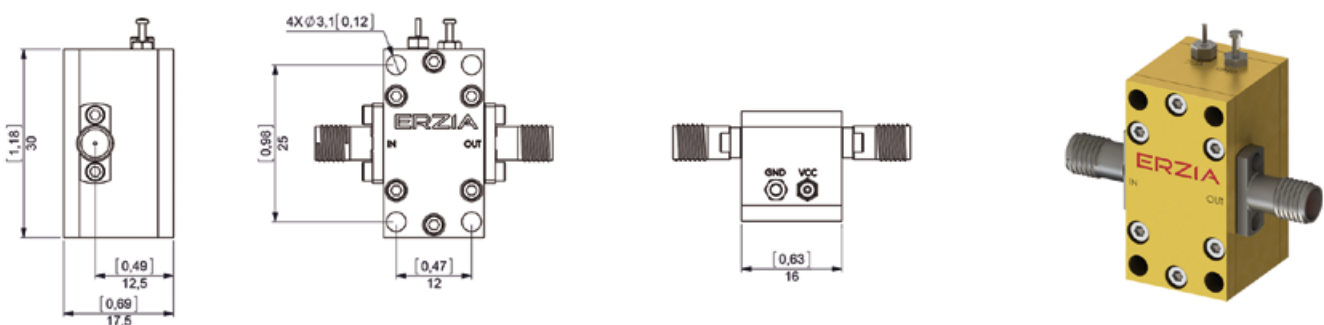
## M1



## M2



## M3



Specified dimensions are in millimeters [inches].

Coaxial and waveguide RF connectors.

Solder filtered pins for DC connections.

Gold plated compact aluminum housings.

Customized housings also available.

# ERZIA