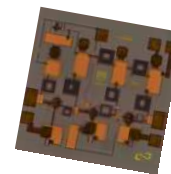




# Let Performance Drive

## CMD157

### 6-18 GHz Low Noise Amplifier



#### Features

- ▶ Ultra low noise figure
- ▶ High gain broadband performance
- ▶ Single supply voltage: +3.0 V @ 52 mA
- ▶ Small die size

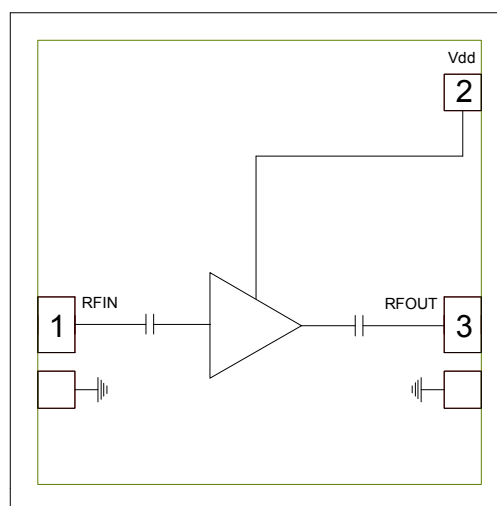
#### Applications

- ▶ Point-to-point radios
- ▶ Point-to-multi-point radios
- ▶ Military EW
- ▶ Test instrumentation

#### Description

The CMD157 is a broadband MMIC low noise amplifier ideally suited for EW and communications systems where small size and low power consumption are needed. The broadband device delivers greater than 25 dB of gain with a corresponding output 1 dB compression point of +10 dBm and a noise figure of 1.5 dB. The CMD157 is a 50 ohm matched design eliminating the need for external DC blocks and RF port matching. The CMD157 amplifier is the perfect alternative to costly hybrid amplifiers.

#### Functional Block Diagram



#### Electrical Performance - $V_{dd} = 3.0\text{ V}$ , $T_A = 25\text{ }^\circ\text{C}$

Parameter	Min	Typ	Max	Units
Frequency Range	6 - 18			GHz
Gain		26		dB
Noise Figure		1.5		dB
Input Return Loss		10		dB
Output Return Loss		14		dB
Output P1dB		11		dBm
Supply Current		52		mA

ver 1.7 1014

### Specifications

#### Absolute Maximum Ratings

Parameter	Rating
Drain Voltage, Vdd	5.0 V
RF Input Power	+20 dBm
Channel Temperature, Tch	150 °C
Power Dissipation, P <sub>diss</sub>	540 mW
Thermal Resistance	120 °C/W
Operating Temperature	-55 to 85 °C
Storage Temperature	-55 to 150 °C
ESD Sensitivity (HBM)	Class 1A

Operation of this device outside the maximum ratings may cause permanent damage.

#### Recommended Operating Conditions

Parameter	Min	Typ	Max	Units
Vdd	2.0	3.0	4.5	V
I <sub>dd</sub>		52		mA

Electrical performance is measured at specific test conditions. Electrical specifications are not guaranteed over all recommended operating conditions.

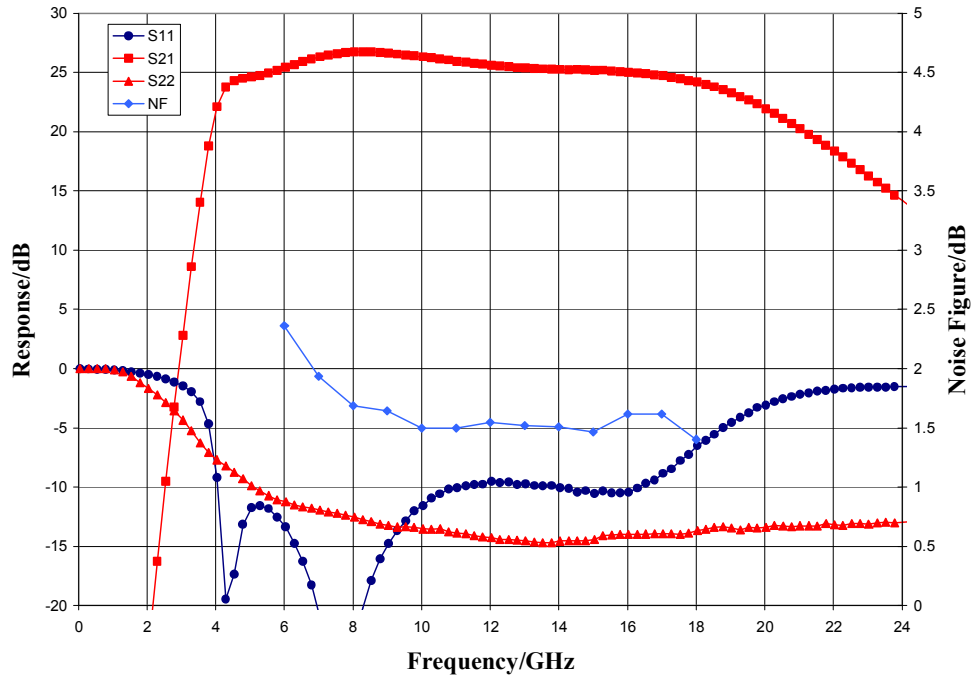
#### Electrical Specifications - V<sub>dd</sub> = 3.0 V, T<sub>A</sub> = 25 °C

Parameter	Min	Typ	Max	Min	Typ	Max	Units
Frequency Range	6 - 9			9 - 18			GHz
Gain	23	26	29	22	25	28	dB
Noise Figure		1.8	2.8		1.5	2.0	dB
Input Return Loss		15			10		dB
Output Return Loss		13			14		dB
Output P <sub>1dB</sub>		11.5			10.5		dBm
Output IP <sub>3</sub>		24			22		dBm
Supply Current	36	52	68	36	52	68	mA
Gain Temperature Coefficient		0.025			0.025		dB/°C
Noise Figure Temperature Coefficient		0.008			0.008		dB/°C

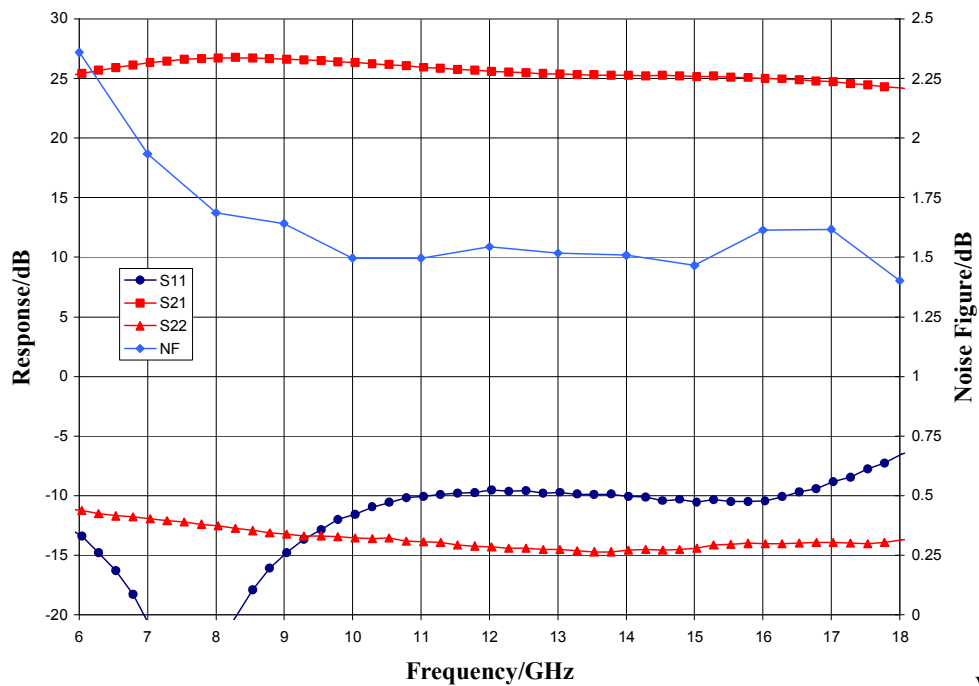
ver 1.7 1014

### Typical Performance

Broadband Performance,  $V_{dd} = 3.0\text{ V}$ ,  $I_{dd} = 52\text{ mA}$ ,  $T_A = 25\text{ }^\circ\text{C}$



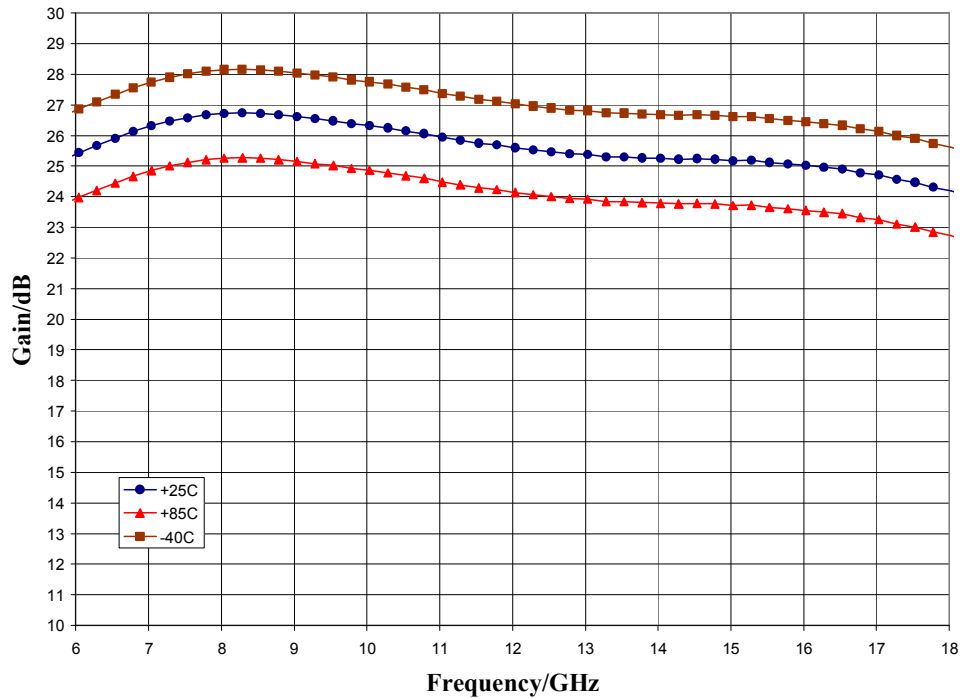
Narrow-band Performance,  $V_{dd} = 3.0\text{ V}$ ,  $I_{dd} = 52\text{ mA}$ ,  $T_A = 25\text{ }^\circ\text{C}$



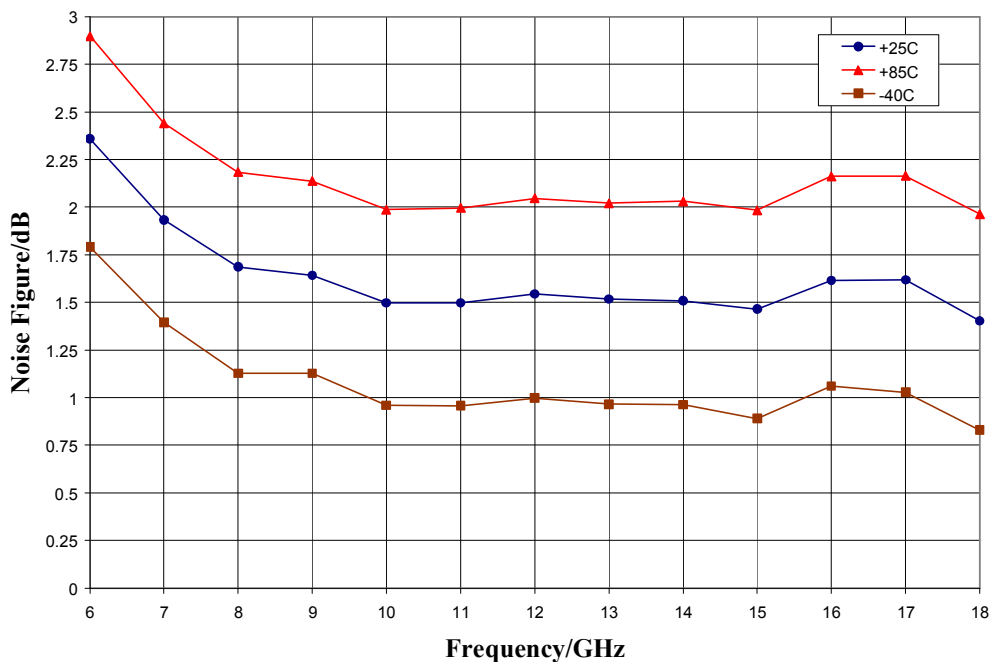
ver 1.7 1014

### Typical Performance

Gain vs. Temperature,  $V_{dd} = 3.0$  V



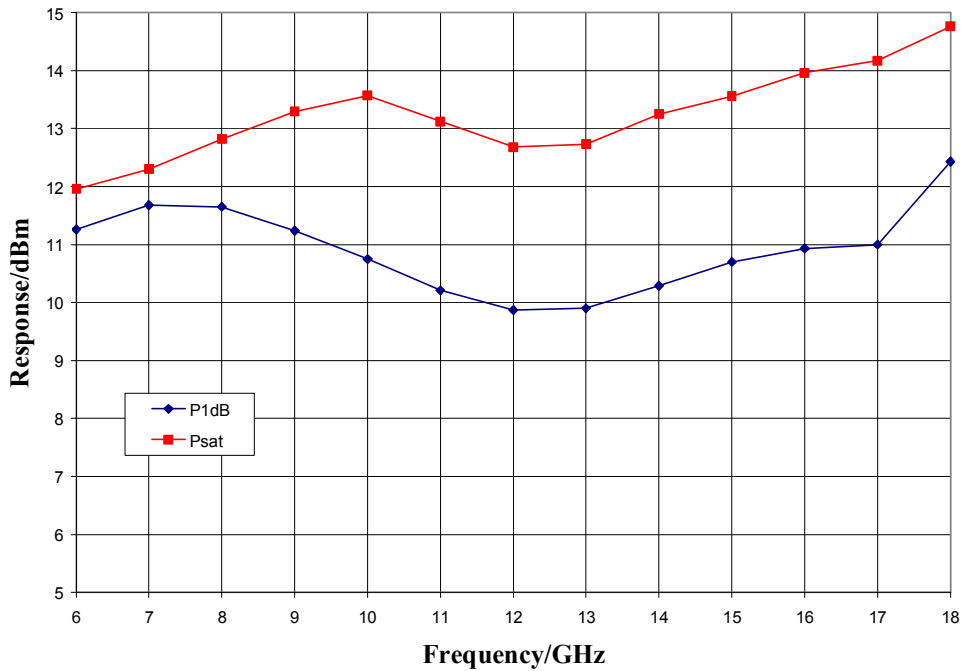
Noise Figure vs. Temperature,  $V_{dd} = 3.0$  V



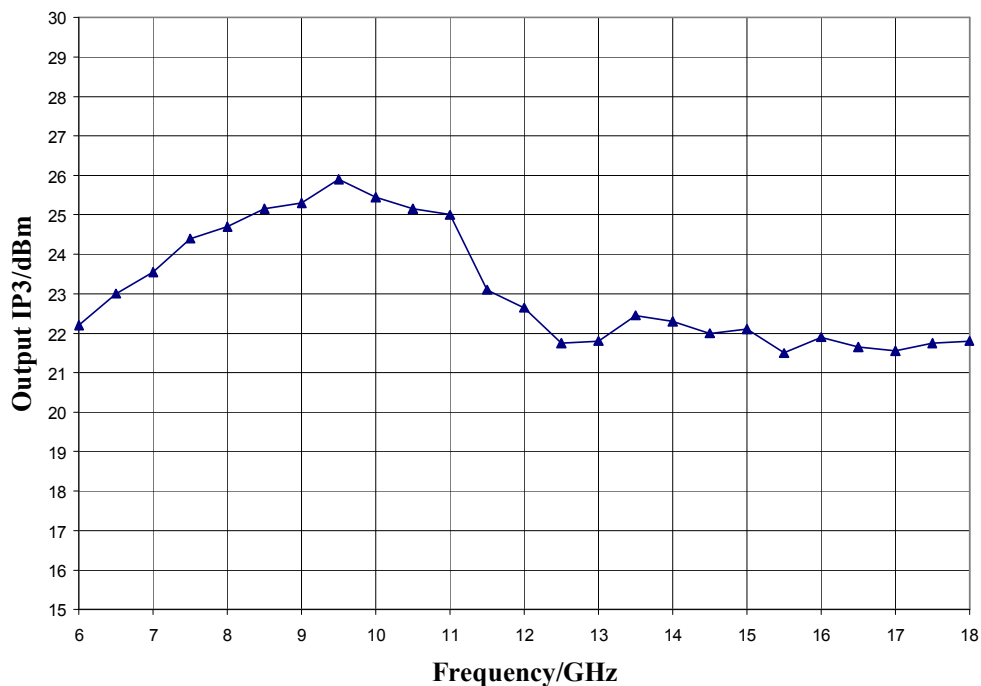
ver 1.7 1014

### Typical Performance

Output Power,  $V_{dd} = 3.0\text{ V}$ ,  $I_{dd} = 52\text{ mA}$ ,  $T_A = 25\text{ }^\circ\text{C}$



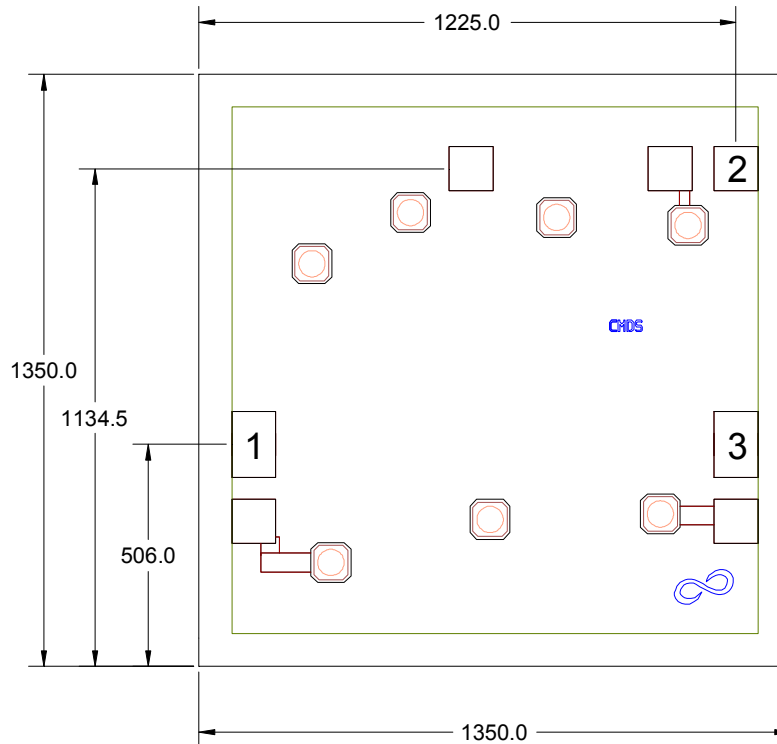
Output IP3,  $V_{dd} = 3.0\text{ V}$ ,  $I_{dd} = 52\text{ mA}$ ,  $T_A = 25\text{ }^\circ\text{C}$



ver 1.7 1014

### Mechanical Information

#### Die Outline (all dimensions in microns)

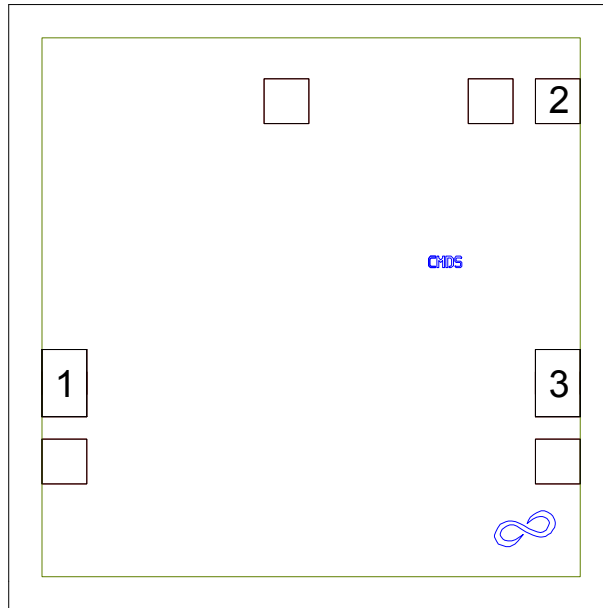


#### Notes:


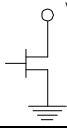

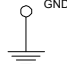
1. No connection required for unlabeled pads
2. Backside is RF and DC ground
3. Backside and bond pad metal: Gold
4. Die is 85 microns thick
5. DC bond pads are 100 microns square

### Pad Description

#### Pad Diagram



#### Functional Description

Pad	Function	Description	Schematic
1	RF in	DC blocked and 50 ohm matched	
2	Vdd	Power supply voltage Decoupling and bypass caps required	
3	RF out	DC blocked and 50 ohm matched	
Backside	Ground	Connect to RF / DC ground	

### Applications Information

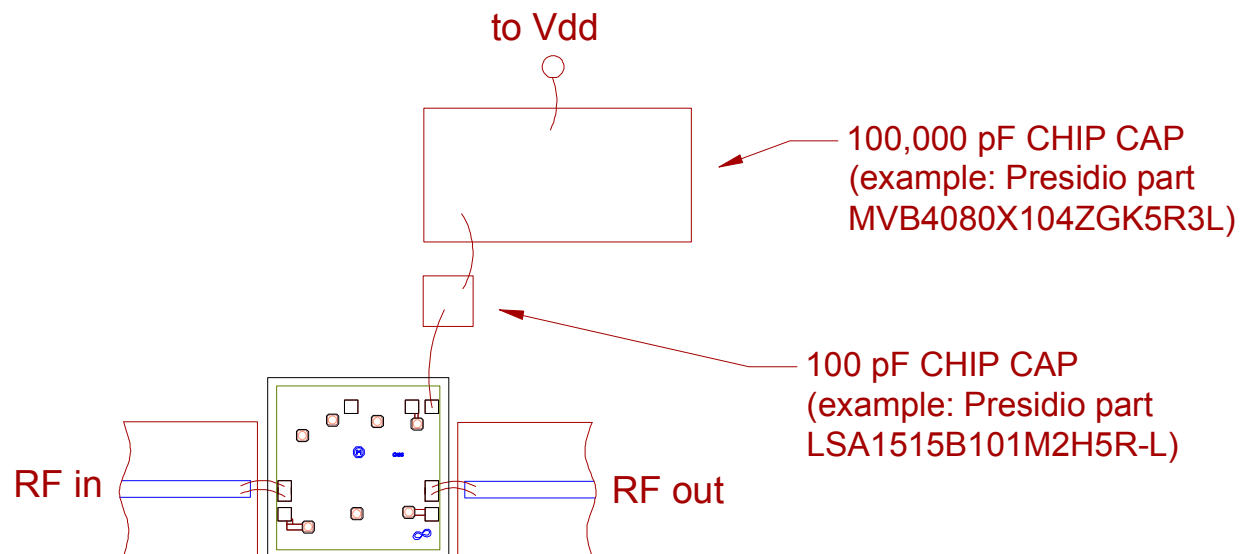
#### Assembly Guidelines

The backside of the CMD157 is RF ground. Die attach should be accomplished with electrically and thermally conductive epoxy only. Eutectic attach is not recommended. Standard assembly procedures should be followed for high frequency devices. The top surface of the semiconductor should be made planar to the adjacent RF transmission lines, and the RF decoupling capacitors placed in close proximity to the DC connections on chip.

RF connections should be made as short as possible to reduce the inductive effect of the bond wire. Use of a 0.8 mil thermosonic wedge bonding is highly recommended as the loop height will be minimized. The RF input and output require a double bond wire as shown.

The semiconductor is 85  $\mu\text{m}$  thick and should be handled by the sides of the die or with a custom collet. Do not make contact directly with the die surface as this will damage the monolithic circuitry. Handle with care.

#### Assembly Diagram



**GaAs MMIC devices are susceptible to damage from Electrostatic Discharge. Proper precautions should be observed during handling, assembly and test.**

ver 1.7 1014



### *Applications Information*

#### **Biasing and Operation**

The CMD157 is biased with a positive drain supply. Performance is optimized when the drain voltage is set to +3.0 V, though it may be set to a minimum of +2.0 V and a maximum of +4.5 V.

Turn ON procedure:

1. Apply drain voltage  $V_{dd}$  and set to +3 V

Turn OFF procedure:

1. Turn off drain voltage  $V_{dd}$

RF power can be applied at any time.