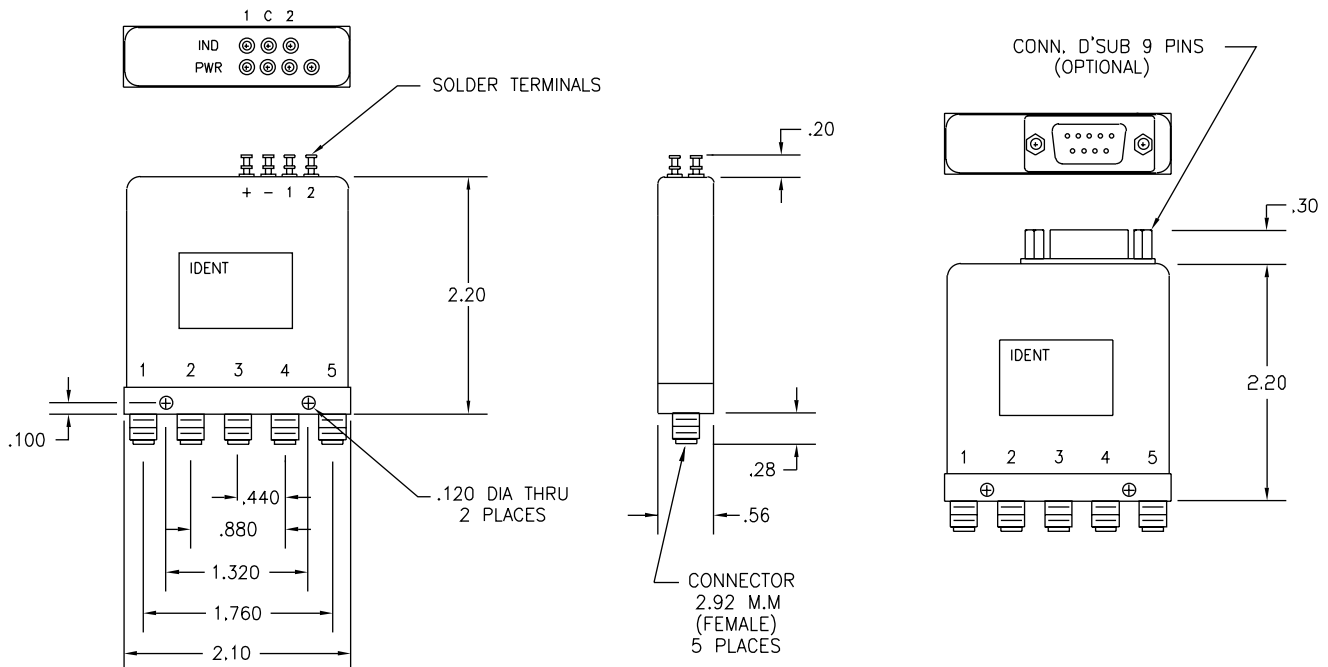


B88 SERIES DP3T - 5 PORT DC - 40.0 GHz 2.92 mm

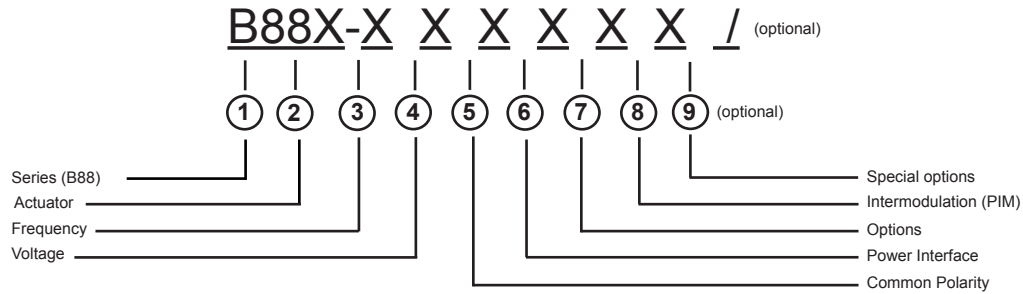


FREQUENCY: GHz	DC - 2.0	2.0 - 6.0	6.0 - 12.4	12.4 - 18.0	18.0 - 26.5	26.5 - 40.0
VSWR (MAX.)	1.20:1	1.30:1	1.40:1	1.50:1	1.60:1	1.60:1
INSERTION LOSS (MAX.)	0.20	0.30	0.40	0.50	0.60	0.60
ISOLATION (MIN.)	90	80	70	60	60	60
IMPEDANCE	50 Ohms					
MECHANICAL						
CONTACT ACTUATOR SWITCHING SPEED	:	BREAK BEFORE MAKE FAILSAFE, LATCHING, MOMENTARY 20 mSEC MAX.				
ELECTRICAL						
ACTUATOR VOLTAGE ACTUATOR CURRENT POWER HANDLING	:	28.0, 12.0, 15.0, 24.0 Vdc CONTACT CEI 200 WCW @ 1.0 GHz (STANDARD) 300 WCW @ 1.0 GHz (OPT. /P)				
ENVIRONMENTAL						
OPERATING TEMP SHOCK RANDOM VIBRATION LIFE	:	-40 DEG. C TO 90 DEG. C (STANDARD) -54 DEG. C TO 90 DEG. C (OPT. /MS) ** 50 G'S ms (SAW-TOOTH) 15 G'S ms (NON-OPERATING) 1,000,000 CYCLES				
FINISH						
RF CAVITY ENCLOSURE CONTACT CONNECTOR SHELL	:	ALUMINUM ELECTROLESS NICKEL PLATED PER MIL-C-26074, CLASS 4 (EXCEPT LOW OR ULTRA LOW IM MODELS) ALUMINUM, BLUE OR BLACK BERYLLIUM COPPER, GOLD PLATED PER MIL-G-45204 CRES, PASSIVATED PER QQ-P-35 OR BRASS				
AVAILABLE OPTIONS						
INDICATOR CIRCUITRY SUPPRESSION DIODE TTL LOGIC LOW, ULTRA LOW, AND SUPERIOR INTERMODULATION (PIM)	:	CUT OFF POWER CIRCUIT D'SUB MINIATURE SERIES BCD DECODER				

NOTE: REFERENCE FOR DIMENSIONS ONLY



B88 SERIES PART NUMBER & ORDERING INFORMATION

**1 - Switch Series**

B88 DP3T 5-PORT 2.92 mm (DC - 40.0 GHz)

2 - Actuator

F	FAILSAFE	R	MOMENTARY
G	FAILSAFE WITH SUPPRESSION DIODE	S	MOMENTARY WITH SUPPRESSION DIODE
H	FAILSAFE WITH INDICATOR	T	MOMENTARY WITH INDICATOR
J	FAILSAFE WITH SUPPRESSION DIODE AND INDICATOR	U	MOMENTARY WITH SUPPRESSION DIODE AND INDICATOR
L	LATCHING	Y	OTHER (SPECIFY)
M	LATCHING WITH SUPPRESSION DIODE		
N	LATCHING WITH INDICATOR		
P	LATCHING WITH SUPPRESSION DIODE AND INDICATOR		

3 - Frequency Bandwidth

10 DC - 40.0 GHz
 0 OTHER (SPECIFY)

4 - Voltage

1	10 - 14 Vdc (12.0 NOMINAL)	4	24 - 32 Vdc (28.0 NOMINAL)
2	13 - 18 Vdc (15.0 NOMINAL)	5	OTHER
3	20 - 30 Vdc (24.0 NOMINAL)	0	NOT REQUIRED

5 - Common Polarity

1 POSITIVE (+) COMMON
 2 NEGATIVE (-) OR RETURN Vdc COMMON
 0 NOT REQUIRED

6 - Power Interface

1	SOLDER TERMINAL (TOP OF SWITCH)	5	D' SUB MINIATURE SERIES (TOP OF SWITCH)
		8	OTHER

7 - Options

1	CUT OFF POWER CIRCUIT (LATCHING ONLY)	8	OTHER (SPECIFY)
2	TTL LOGIC	9	CUSTOM (ORDER)
3	CUT OFF PWR CIRCUIT & TTL LOGIC (LATCHING ONLY)	0	NO OTHER OPTIONS REQUIRED
4	BCD TTL DECODER		

8 - Intermodulation

7	LOW PASSIVE INTERMODULATION	9	ULTRA LOW PASSIVE INTERMODULATION
8	SUPERIOR PASSIVE INTERMODULATION	0	STANDARD SWITCH

9 - Special Options (optional - leave blank if not required)

/P HIGH TEMP, HIGH POWER CONNECTOR
 /MS EXTENDED TEMP RANGE -54 DEG C TO + 90 DEG
 /MSP HIGH TEMP, HIGH POWER CONNECTOR AND EXTENDED TEMP RANGE

**CHARTER ENGINEERING, INC.**INTERNET: <http://www.ceiswitches.com>EMAIL: sales@ceiswitches.com