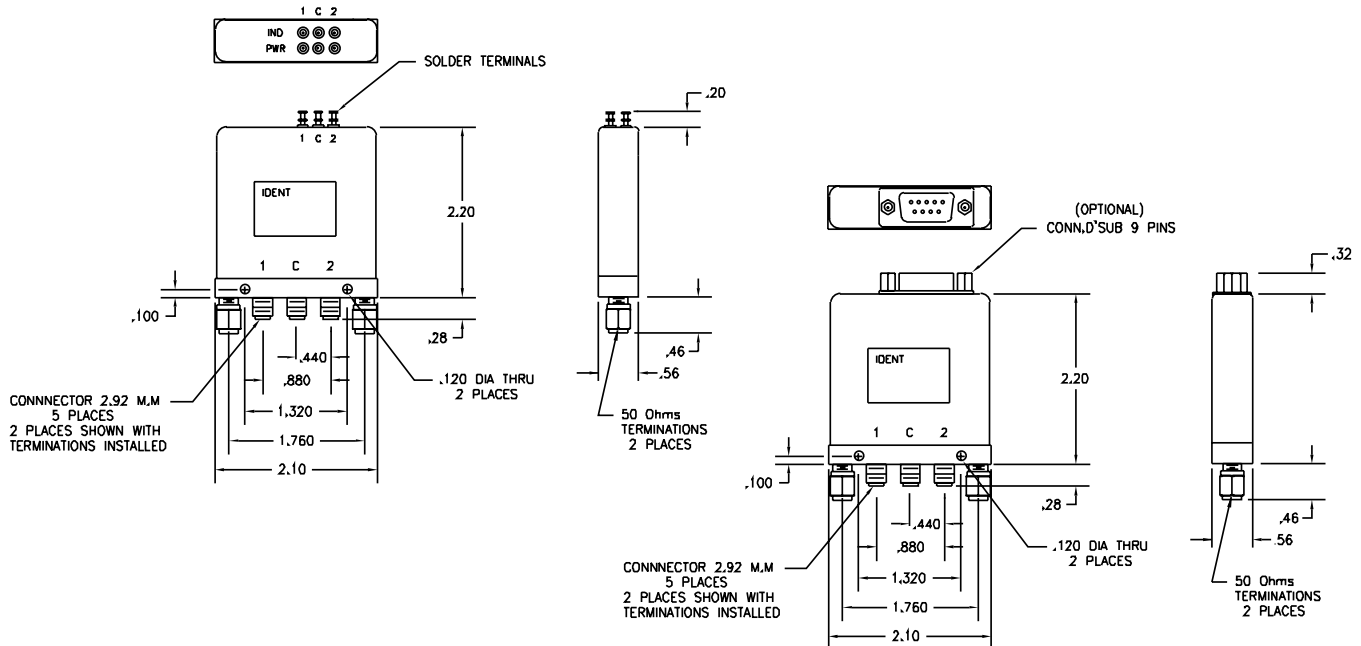


B80 SERIES SPDT EXT TERMINATED DC - 40.0 GHz 2.92 mm

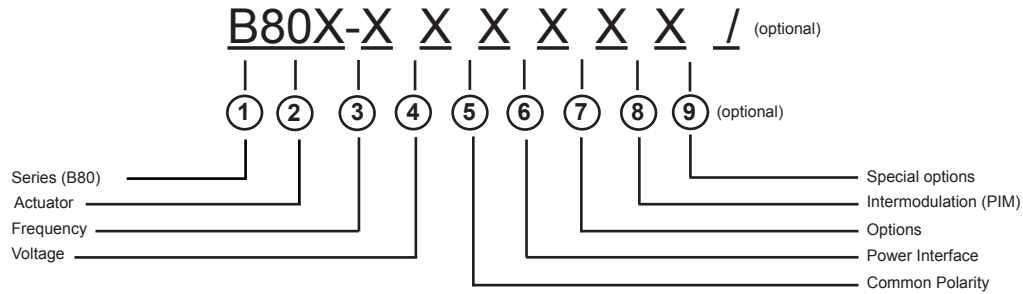


FREQUENCY: GHz	DC - 2.0	2.0 - 6.0	6.0 - 12.4	12.4 - 18.0	18.0 - 26.5	26.5 - 40.0
VSWR (MAX.)	1.20:1	1.30:1	1.40:1	1.50:1	1.60:1	1.60:1
INSERTION LOSS (MAX.)	0.20	0.30	0.40	0.50	0.60	0.60
ISOLATION (MIN.)	90	80	70	60	60	60
IMPEDANCE	50 Ohms					
MECHANICAL						
CONTACT ACTUATOR SWITCHING SPEED	BREAK BEFORE MAKE FAILSAFE, LATCHING, MOMENTARY 20 mSEC MAX.					
ELECTRICAL						
ACTUATOR VOLTAGE ACTUATOR CURRENT POWER HANDLING	28.0, 12.0, 15.0, 24.0 Vdc CONTACT CEI 200 WCW @ 1.0 GHz (STANDARD) 300 WCW @ 1.0 GHz (OPT. /P)					
ENVIRONMENTAL						
OPERATING TEMP SHOCK RANDOM VIBRATION LIFE	-40 DEG. C TO 90 DEG. C (STANDARD) -54 DEG. C TO 90 DEG. C (OPT. /MS) ** 50 G'S ms (SAW-TOOTH) 15 G'S ms (NON-OPERATING) 1,000,000 CYCLES					
FINISH						
RF CAVITY ENCLOSURE CONTACT CONNECTOR SHELL	ALUMINUM ELECTROLESS NICKEL PLATED PER MIL-C-26074, CLASS 4 (EXCEPT LOW OR ULTRA LOW IM MODELS) ALUMINUM, BLUE OR BLACK BERYLLIUM COPPER, GOLD PLATED PER MIL-G-45204 CRES, PASSIVATED PER QQ-P-35 OR BRASS					
AVAILABLE OPTIONS						
INDICATOR CIRCUITRY SUPPRESSION DIODE TTL LOGIC LOW, ULTRA LOW, AND SUPERIOR INTERMODULATION (PIM)	CUT OFF POWER CIRCUIT D'SUB MINIATURE SERIES BCD DECODER CRES, PASSIVATED PER QQ-P-35 OR BRASS					

NOTE: REFERENCE FOR DIMENSIONS ONLY



B80 SERIES PART NUMBER & ORDERING INFORMATION

**1 - Switch Series**

B80 SPDT EXT TERMINATED 2.92 mm (DC - 40.0 GHz)

2 - Actuator

F	FAILSAFE	R	MOMENTARY
G	FAILSAFE WITH SUPPRESSION DIODE	S	MOMENTARY WITH SUPPRESSION DIODE
H	FAILSAFE WITH INDICATOR	T	MOMENTARY WITH INDICATOR
J	FAILSAFE WITH SUPPRESSION DIODE AND INDICATOR	U	MOMENTARY WITH SUPPRESSION DIODE AND INDICATOR
L	LATCHING	Y	OTHER (SPECIFY)
M	LATCHING WITH SUPPRESSION DIODE		
N	LATCHING WITH INDICATOR		
P	LATCHING WITH SUPPRESSION DIODE AND INDICATOR		

3 - Frequency Bandwidth

10 DC - 40.0 GHz
 0 OTHER (SPECIFY)

4 - Voltage

1	10 - 14 Vdc (12.0 NOMINAL)	4	24 - 32 Vdc (28.0 NOMINAL)
2	13 - 18 Vdc (15.0 NOMINAL)	5	OTHER
3	20 - 30 Vdc (24.0 NOMINAL)	0	NOT REQUIRED

5 - Common Polarity

1 POSITIVE (+) COMMON
 2 NEGATIVE (-) OR RETURN Vdc COMMON
 0 NOT REQUIRED

6 - Power Interface

1	SOLDER TERMINAL (TOP OF SWITCH)	5	D' SUB MINIATURE SERIES (TOP OF SWITCH)
		8	OTHER

7 - Options

1	CUT OFF POWER CIRCUIT (LATCHING ONLY)	8	OTHER (SPECIFY)
2	TTL LOGIC	9	CUSTOM (ORDER)
3	CUT OFF PWR CIRCUIT & TTL LOGIC (LATCHING ONLY)	0	NO OTHER OPTIONS REQUIRED
4	BCD TTL DECODER		

8 - Intermodulation

7	LOW PASSIVE INTERMODULATION	9	ULTRA LOW PASSIVE INTERMODULATION
8	SUPERIOR PASSIVE INTERMODULATION	0	STANDARD SWITCH

9 - Special Options (optional - leave blank if not required)

/P HIGH TEMP, HIGH POWER CONNECTOR
 /MS EXTENDED TEMP RANGE -54 DEG C TO + 90 DEG
 /MSP HIGH TEMP, HIGH POWER CONNECTOR AND EXTENDED TEMP RANGE



CHARTER ENGINEERING, INC.

INTERNET: <http://www.ceiswitches.com>

EMAIL: sales@ceiswitches.com