



# 2, 3, & 4 Way Power Dividers

**200-DD-FFN-2, 200-DD-FFN-3, 200-DD-FFN-4  
(698-2700 MHz)**



## The RF Experts

### FEATURES

- High Performance
- High Reliability
- RoHs Compliant

### ELECTRICAL SPECIFICATIONS

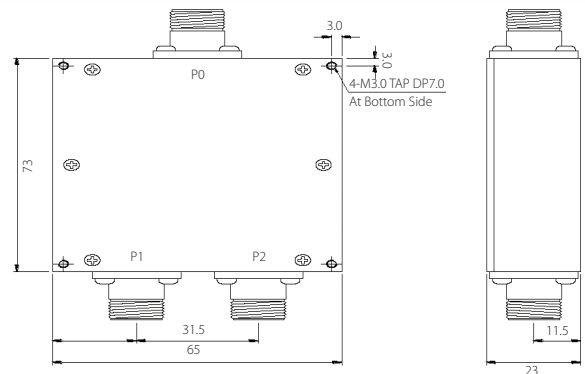
<b>Frequency Bands</b>	698 to 2700 MHz
<b>Insertion Loss</b>	
200-DD-FFN-2	0.4 dB max
200-DD-FFN-3	0.6 dB max
200-DD-FFN-4	0.7 dB max
<b>Return Loss</b>	
200-DD-FFN-2	20 dB min
200-DD-FFN-3	14.0 dB min
200-DD-FFN-4	18.0 dB min
<b>Isolation</b>	
200-DD-FFN-2	20 dB min
200-DD-FFN-3	14.0 dB min
200-DD-FFN-4	18.0 dB min
<b>Power Handling</b>	200 W
<b>PIM</b>	≤ -153 dBc min (2 tone @ 43 dBm)
<b>Impedance</b>	50Ω nominal

### ENVIRONMENTAL SPECIFICATIONS

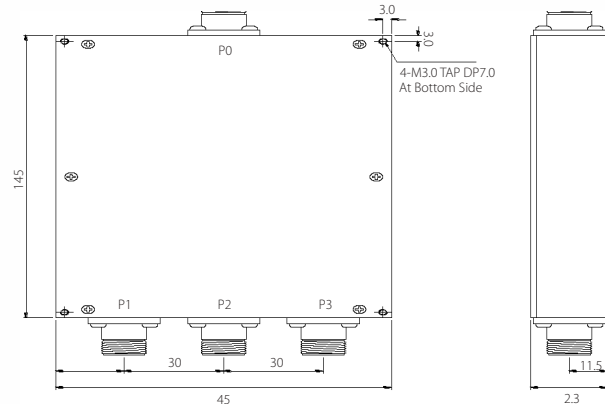
**Operating Temperature** -20°C ~ +60°C

### MECHANICAL SPECIFICATIONS

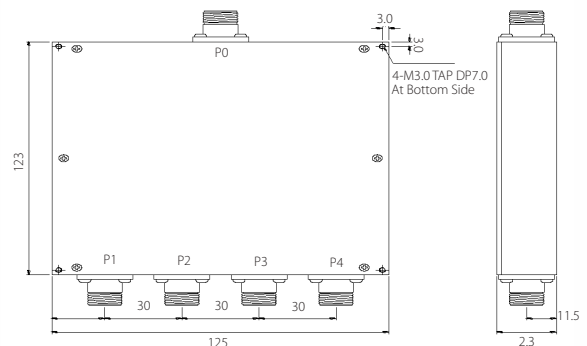
<b>Dimensions</b>	
200-DD-FFN-2	73 x 65 x 23 mm
200-DD-FFN-3	145 x 95 x 23 mm
200-DD-FFN-4	123 x 125 x 23 mm
<b>Connector</b>	N-Female
<b>Finish</b>	Light Gray Powder Coat



2 Way Power Divider



3 Way Power Divider



4 Way Power Divider

