



4422 Multifunction Power Meter



The RF Experts

The 4422 Multifunction Power Meter is a display device designed specifically to enable users to easily show all the complex information from a wide range of RF power measurements. This unit is compatible with a full range of USB enabled Bird Field Sensors and also, with the use of the 4421B540-2 Adapter, all precision semiconductor sensors, such as the 4020 and 4027 Series sensors. The meter will automatically detect any connected sensor and will pop-up the appropriate display window. It will also connect to multiple sensors simultaneously, opening a separate window for each sensor. No calibration is ever required for this unit and the product also includes easy data logging and intuitive touch screen user interface. The 4422 Power Meter is a key component of your complete RF power measurement system.

FEATURES AND BENEFITS

Manage multiple sensors simultaneously.

Multiple Displays Functions: Digital, Analog and Strip Chart.

Each Display Window can be Customized for user preference.

Compatible with a wide array of USB enabled Bird Field Sensors.

Data logging capability with playback of saved log files.

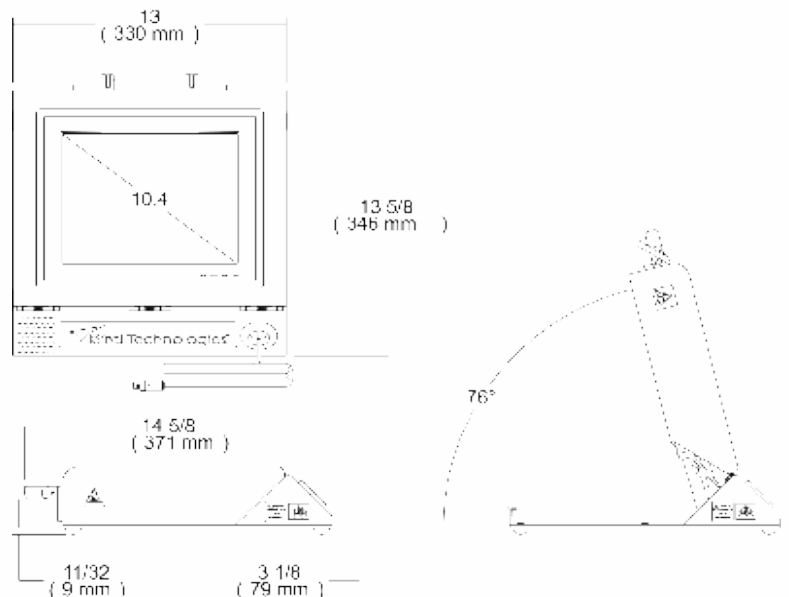
Log file in either XML and Comma Delimited formats.

Snapshot Capabilities.

Ideal for use as a stand alone display

No calibration required.

Functions: True Average Power (Forward and Reflected), VSWR, Peak Power, Crest Factor, CCDF, Burst Power, Peak envelope power, and all IEEE pulse related parametric measurements.



4422 Multifunction Power Meter

SPECIFICATION

Sensor Detection	Automatic Sensor detection opens appropriate display for each sensor type
DISPLAY	
Type	10.4" TFT LCD (LED back light)
Resolution	800 x 600
View ability	Indoor Viewable
Touch Screen	Fire wire resistive
Languages	English, Chinese, Spanish
Calibration interval	Not required
Operating System	Windows 7 Embedded
ENVIRONMENT	
Operating Temperature	
Open Chassis	0° to 50° C (32° to 122° F)
Closed Chassis	0° to 45° C (32° to 113° F)
Storage Temperature	-20° to 60° C (-4° to 140° F)
Relative Humidity	10 to 95% at 40° C (Non-Condensing)
Altitude, max	15,000 ft (4500 m)
Shock	10 G Peak acceleration (11 ms duration)
Vibration	5 to 500 Hz, 1 G RMS
IP Grade	IP65 (LCD panel only)
Cooling	Fanless/Passive
AC/DC POWER SUPPLY	
Input Voltage	100-240 VAC, 50-60 Hz, 1.5 A
Power Consumption	25 W
PHYSICAL CHARACTERISTICS	
Dimensions, nominal	
Open	14 5/8 in. x 13 5/8 in. x 13 in. (371 mm x 346 mm x 330 mm)
Stowed	14 5/8 in. x 3 1/8 in. x 13 in. (371 mm x 79 mm x 330 mm)
Weight, max	11.1 lbs (5035 g)
Clean Room Rating	Class 100 / ISO 5
COMPLIANCE	
EMC Standard	CE Compliant
Safety Standard	CE Compliant

MEASUREMENT SPECIFICATIONS

Power Range	Sensor dependent
Frequency Range	Sensor dependent
VSWR Range	1.0 – 199.9 ma
Return Loss Display	0 to 40 dB max
Multiple sensor support	Enable individual windows for each sensor connected.
Connection to sensor	Wired
Data Logging	Yes

OPTIONAL ACCESSORIES

4421B540-2	Adapter
4421-038	USB Cable
5A2976-10-2	AC Power Cord

COMPATIBLE SENSORS

5012, 5014, 5015, 5016, 5017, 5018, 5019, 7020, 7022, 7023, 4021, 4022, 4023, 4024, 4025, 4027, 4028

All 402x series Precision Power Sensors require the use of the 4421B540-2 Sensor Interface Module.

