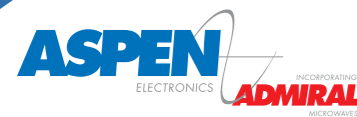


WWW.ASPEN-ELECTRONICS.COM

> INTERCONNECT
SOLUTIONS
TO 100GHz PLUS

- + COMPONENTS
- + TEST EQUIPMENT
- + DESIGN & MANUFACTURE
- + SERVICE & CALIBRATION

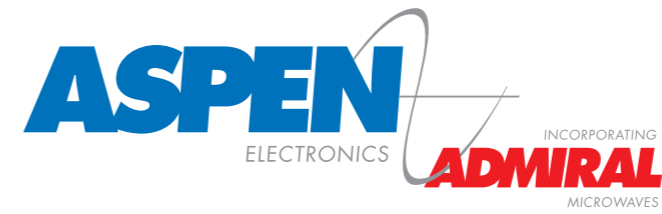
> THE ASPEN ADVANTAGE



ON YOUR WAVELENGTH

Aspen Electronics Ltd
1-3 Kildare Close,
Eastcote, Ruislip,
Middlesex,
HA4 9UR. UK

Tel: + 44 (0)20 8868 1311
sales@aspen-electronics.com
www.aspen-electronics.com



ON YOUR WAVELENGTH

> INTERCONNECT
SOLUTIONS
TO 100GHz PLUS

1

INTERCONNECT
SOLUTIONS
JUN 2017 - ISSUE 1



ASPEN OFFERS AN EXTENSIVE RANGE OF COAXIAL & WAVEGUIDE INTERCONNECTS FROM DC TO 100GHz PLUS.



ARANCE ELECTRONICS

- High Performance Test Cables & Adaptors for Defence, Communications & Research Applications to 67GHz.
- VNA Test Cables to 67GHz.
- 50 Ω Low Loss Flexible, Armoured, Semi-Flexible & Semi-Rigid Cable Assemblies.
- NMD 3.5, 2.92, 2.4 & 1.85mm Test Port Adaptors.
- Precision Mechanical Calibration Kits & Torque Wrenches.



DELTA ELECTRONICS MANUFACTURING

- RF Coaxial Connectors & Adaptors.
- BNC, TNC, N-Type, SMA, HN, SC, LT, C-Type & UHF.
- TW34, TWBNC Twin-Axial, TRB Tri-Axial & Push-Fit.
- QDS, QMA, Miniature SMB, SMC, MCX & MMCX.
- High Frequency SMA to 27GHz, SMP, SMPM, 3.5mm & 2.92mm.



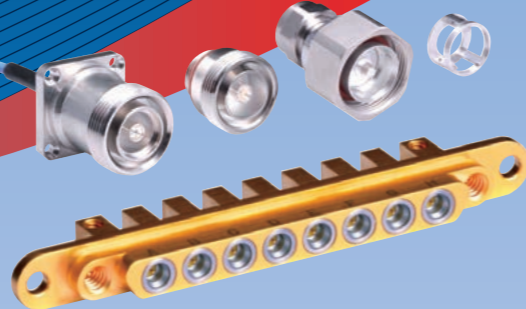
L-3 NARDA-ATM

- Waveguide & Coaxial Components to 220GHz.
- Waveguide to Coaxial Adaptors & Waveguide Transitions.
- Solid & Flexible Waveguide Components & Assemblies
- High Power Coaxial Cable Assemblies
- E&H Plane Bends, Mitres, Straights & Twists



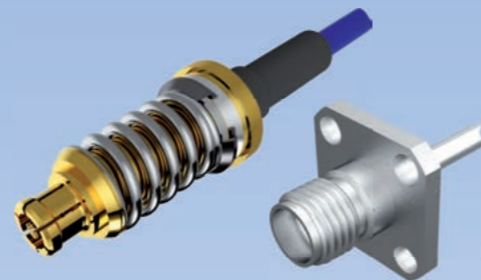
MI-WAVE

- Millimeter Wave Components to 325GHz.
- Waveguide Transitions & Adaptors.
- Waveguide to Coaxial Adaptors.
- Flexible, Square & Double Ridge.
- Straights, E&H Plane Bends & Twists.



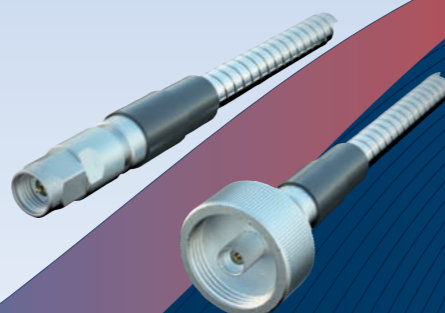
INTELLICONNECT

- Nickel Aluminium Bronze & Stainless Steel Connectors for Marine, Waterproof & Harsh Environments.
- Clamp Style Solderless Connectors for Semi-Rigid Cable that allows for Field Replacement of Connectors with no Special Tooling.
- Mil-Aero, SCADA, Marine, Medical, Transportation, Oil & Gas Applications.



KOAXIS

- Coaxial Cable Assemblies & Connectors for Defence, Telecommunications & Cable TV Applications to 60GHz.
- 50 Ω Hand Formable, Semi-Rigid, & Flexible RG Assemblies.
- K-Flex™ .047, .086 & .141 Fully Flexible Alternatives to Semi-Rigid.
- Low Loss Microwave Assemblies.



ADAPTORS

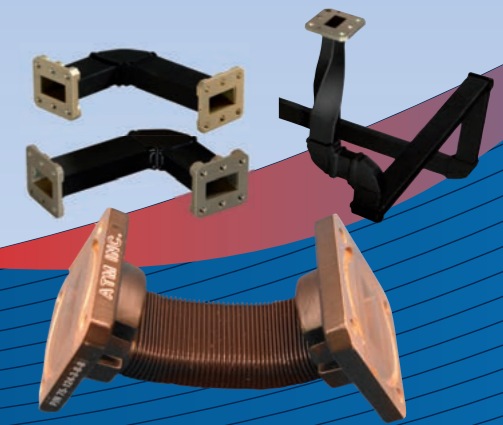
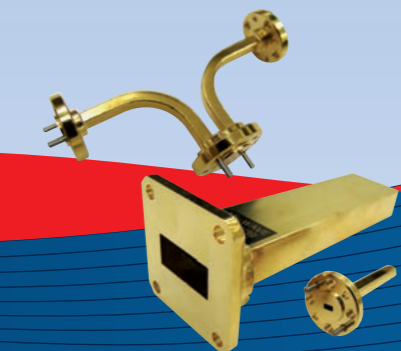
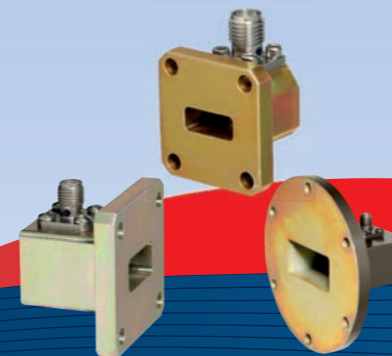
- Inter-Series Adaptors including BNC, TNC, N-Type, 7/16, HN, C, SMA, SMB & SMC plus High Frequency SSMA, SMP, 3.5mm, 2.92mm, 2.4mm & 1.85mm.
- NMD 3.5, 2.92, 2.4 & 1.85mm Test Port Adaptors.
- Coaxial Rotary Couplers to 40GHz.

CABLE ASSEMBLIES

- Flexible, Semi-Rigid & Hand Formable.
- 110GHz (1.0mm) Cable Assemblies.
- Low Loss Flexible & Semi-Flexible Armoured Cables.
- VNA Calibration/Test Cables to 67GHz.
- High Power, Harsh Environment & Cryogenic Cable Assemblies.

CONNECTORS

- Most Common Types to 65GHz plus.
- High Frequency SSMA, 2.92, 2.4mm & 1.85mm Coaxial Connectors.
- EIA 7/8 to EIA 9-3/16 EIA Rigid Line Connectors.
- 1.0mm Connectors & Bullets to 110GHz.



WAVEGUIDE TO COAXIAL ADAPTORS

- WR2300 to WR10 Right Angle & End Launch.
- Double Ridge sizes from WRD250 to WDR180.

WAVEGUIDE TRANSITIONS

- Rectangular to Rectangular Waveguide Adaptors in Overlapping Bands.
- Ka-Band, Downlink 18.3-20.2 GHz, Uplink 27.5-31.0 GHz.

WAVEGUIDE SECTIONS

- Straights, Bends & Mitres.
- 30, 45, 60 & 90 Degree E&H Plane Twists.
- Solid & Flexible Waveguide Sections.