



## Omnidirectional Waveguide Antenna 60GHz

**Model no. 267V-60**

Page 1 of 2

The MI-Wave antenna model 267V-60 provides full 360° omnidirectional coverage over the frequency range 58GHz to 63GHz with excellent performance, ideal for 5G – 60GHz band systems development. This antenna is also suitable for WiGig™ applications to 70GHz.

### Electrical Specification

Parameter	Unit	
Frequency Range	GHz	58 ~ 63
Gain	dBi	2
Gain Variation	dBi	2
Input VSWR	-	1.5:1
Beamwidth – Azimuth	°	360
Beamwidth – Elevation	°	45

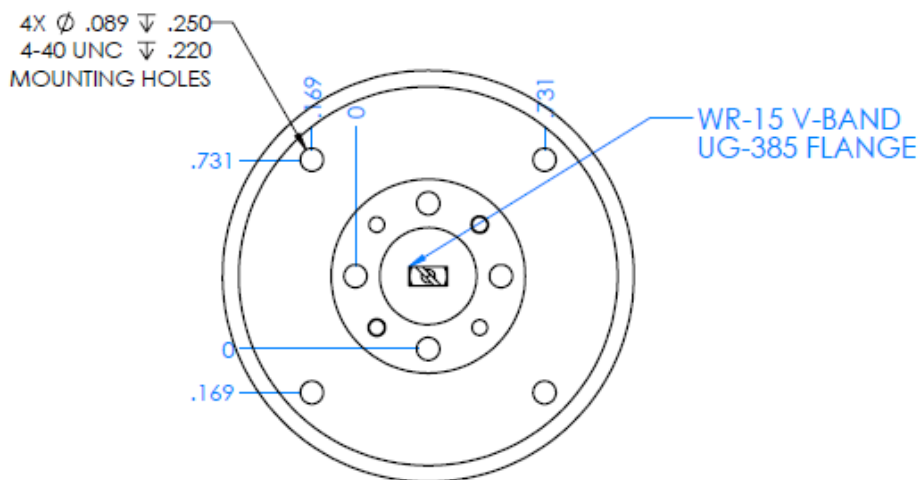
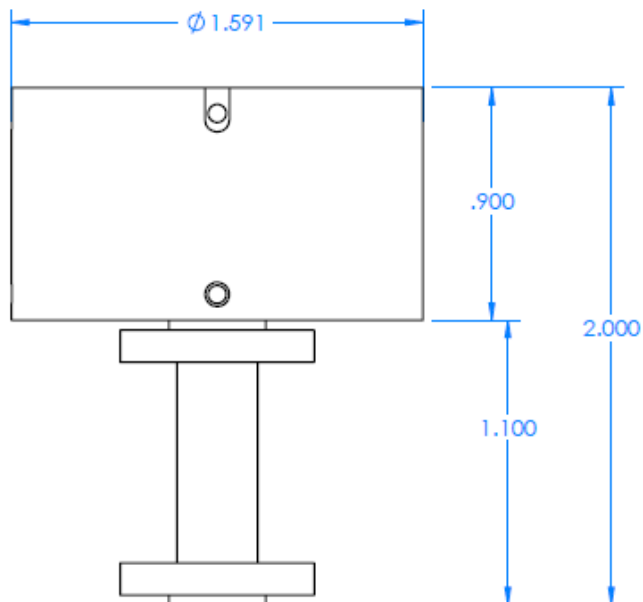
### Mechanical Specification

Parameter	Unit	
Type	-	Omnidirectional
Interface	-	WR-15
Flange Specifications	-	UG387/U
Size (Length – Width)	Inches	1.78 x 1.0 (diameter)

27/11/2017



## Dimensions



27/11/2017