



www.arance-rf.com
www.anpo-rf.com

产品目录 CATALOG

电缆组件/校准件/转接器/负载/隔直器

南京安崇电子有限公司

Nanjing Arance Electronics Co.,Ltd



Company Introduction

Nanjing Arance Electronics Co.,Ltd specialized in state-of-the-art laboratory devices. Our company owns specialization technologies team, equipped with the precision machines and using the latest test equipment. We are dedicated in a wide range of test and measurement products.

Our offering includes:

- High Performance VNA Test Assemblies that operate from DC to 67GHz. The port contains: N, 7mm, NMD3.5mm, NMD2.92mm, NMD2.4mm, NMD1.85mm.
- Types of millimeter wave cable assemblies. The frequency can operate up to 67GHz. Phase matching cable assemblies are available.
- Precision calibration kits. The port contains: N, L16, 3.5mm. More high frequency calibration kits with popular connectors are in development.
- Various coaxial adapters that operate from DC to 67GHz. NMD test port adapters, general type adapters and Low-PIM adapters are included.
- RF coaxial loads/terminations which can operate up to 50GHz.
- Microwave and millimeter wave DC blocks. The port contains: N, SMA, 3.5mm, 2.92mm, 2.4mm. The frequency can operate up to 50GHz.
- Various test and measurement accessories.

We enjoy close business ties with Research Institutes, military enterprises, communication enterprises and universities. And our products have been exported over 10 countries. We are dedicated to the professional technology and high quality, and we are committed to provide our customer the best service.





CONTENTS

Cable Assemblies..... 1

 High Performance VNA Test Assemblies..... 2

 Low Loss Flexible Cable Assemblies..... 9

 Semi-rigid & Semi-flexible Cable Assemblies..... 11

Mechanical Calibration Kits..... 12

 Type N Calibration Kits 13

 L16 Calibration Kits..... 16

 3.5mm Calibration Kits..... 17

RF Coaxial Adapters 20

 NMD Test Port Adapters 21

 Precision Coaxial Adapters..... 24

 Low-PIM Adapters..... 32

RF Coaxial Loads / Terminations..... 34

DC Blocks 36

Accessories..... 38

Technical Description..... 39

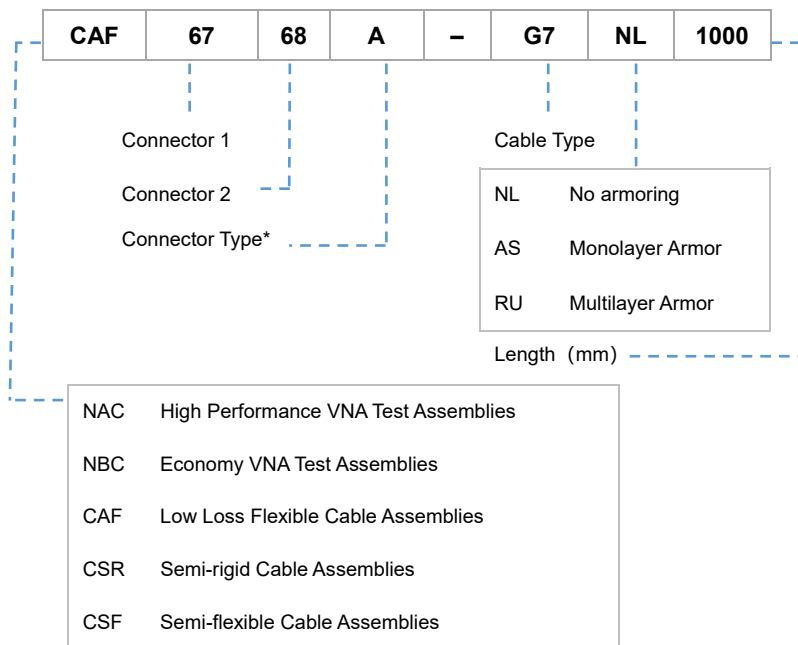
Cable Assemblies

Arance positions in high application field of microwave and millimeter wave testing. We design and manufacture broadband, low loss and high stability cable assemblies which has reached international advance level.

Our cable assemblies are classified into the following categories.

- High Performance VNA Test Assemblies
- Low Loss Flexible Cable Assemblies
- Semi-rigid & Semi-flexible Cable Assemblies

Part Numbering



*Connector Type

Code	Connector Type
A	Male to Male
B	Female to Female
C	Male to Female
D	Female to Male
M	Male
F	Female

High Performance VNA Test Assemblies

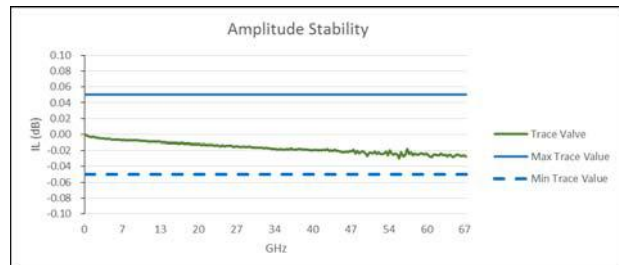
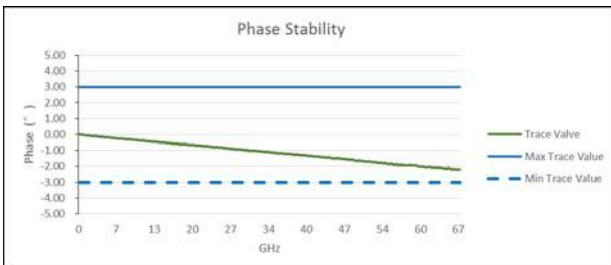
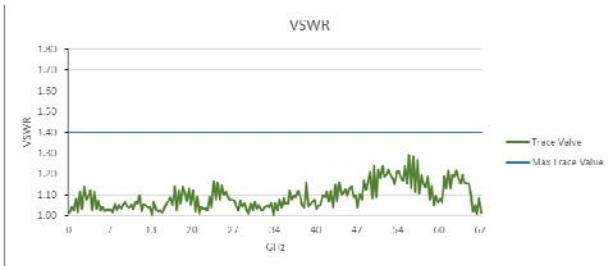
Arance’s High Performance VNA Test Assemblies are specially used in high reliability vector network analyzer (VNA) test applications. The cable assemblies include NMD connectors which is solid and light weight can mate directly with VNA ports.



NAC Series—Precision VNA Test Assemblies



NBC Series—Economy VNA Test Assemblies



NAC Series — Precision VNA Test Assemblies



The NAC cable assemblies with excellent phase and amplitude stability can achieve high reliable test results with bend, crush and many other testing situations.

Connector Materials	
Body	Stainless Steel, Passivated
Center Conductor	Au-plated Beryllium Copper
Cable Descriptions	
Center Conductor	Ag-plated Copper
Dielectric	PTFE
Outer Conductor	Ag-plated Copper Tape
Inner Braid	Ag-plated Copper Braid
Outer Jacket	Multilayer armour
Minimum Bend Radius	50mm
Environmental data	
Operating Temperature	0°C~+40°C
Storage Temperature	-40°C~+75°C

NAC Series Selection Matrix

Connector2 \ Connector1	NMD1.85mm	NMD2.4mm	NMD2.92mm	NMD3.5mm	N	7mm
NMD1.85mm	√					
NMD2.4mm		√				
NMD2.92mm		√	√			
NMD3.5mm				√		
N				√	√	
7mm				√	√	√
1.85mm	√					
2.4mm		√	√			
2.92mm		√	√			
3.5mm				√	√	√

NAC Series — General Products

NMD1.85mm Series								
P/N	Connector 1	Connector 2	Length	Frequency	VSWR	IL	Amplitude Stability	Phase Stability
NAC7171L1	NMD1.85mm Female	NMD1.85mm Male	63cm	DC~67GHz	1.40:1(max)	<5.2dB	<±0.05dB	<±3.0°
NAC7161L1	NMD1.85mm Female	1.85mm Female	63cm	DC~67GHz	1.40:1(max)	<5.2dB	<±0.05dB	<±3.0°
NMD2.4mm Series								
P/N	Connector 1	Connector 2	Length	Frequency	VSWR	IL	Amplitude Stability	Phase Stability
NAC7878L1	NMD2.4mm Female	NMD2.4mm Male	63cm	DC~50GHz	1.30:1(max)	<3.0dB	<±0.05dB	<±3.0°
NAC7868L1	NMD2.4mm Female	2.4mm Female	63cm	DC~50GHz	1.30:1(max)	<3.0dB	<±0.05dB	<±3.0°
NAC7837L1	NMD2.4mm Female	NMD2.92mm Male	63cm	DC~40GHz	1.30:1(max)	<2.8dB	<±0.05dB	<±2.5°
NAC7867L1	NMD2.4mm Female	2.92mm Female	63cm	DC~40GHz	1.30:1(max)	<2.8dB	<±0.05dB	<±2.5°
NMD2.92mm Series								
P/N	Connector 1	Connector 2	Length	Frequency	VSWR	IL	Amplitude Stability	Phase Stability
NAC3778L1	NMD2.92mm Female	NMD2.4mm Male	63cm	DC~40GHz	1.30:1(max)	<2.8dB	<±0.05dB	<±2.5°
NAC3768L1	NMD2.92mm Female	2.4mm Female	63cm	DC~40GHz	1.30:1(max)	<2.8dB	<±0.05dB	<±2.5°
NAC3737L1	NMD2.92mm Female	NMD2.92mm Male	63cm	DC~40GHz	1.30:1(max)	<2.8dB	<±0.05dB	<±2.5°
NAC3767L1	NMD2.92mm Female	2.92mm Female	63cm	DC~40GHz	1.30:1(max)	<2.8dB	<±0.05dB	<±2.5°
NMD3.5mm Series								
P/N	Connector 1	Connector 2	Length	Frequency	VSWR	IL	Amplitude Stability	Phase Stability
NAC7676L1	NMD3.5mm Female	NMD3.5mm Male	63cm	DC~26.5GHz	1.25:1(max)	<1.8dB	<±0.05dB	<±2.0°
NAC7666L1	NMD3.5mm Female	3.5mm Female	63cm	DC~26.5GHz	1.25:1(max)	<1.8dB	<±0.05dB	<±2.0°
N Type Series								
P/N	Connector 1	Connector 2	Length	Frequency	VSWR	IL	Amplitude Stability	Phase Stability
NAC6565AL1	N Male	N Male	63cm	DC~18GHz	1.20:1(max)	<1.5dB	<±0.05dB	<±1.5°
NAC6565CL1	N Male	N Female	63cm	DC~18GHz	1.20:1(max)	<1.5dB	<±0.05dB	<±1.5°
7mm Series								
P/N	Connector 1	Connector 2	Length	Frequency	VSWR	IL	Amplitude Stability	Phase Stability
NAC3535L1	7mm Sexless	7mm Sexless	63cm	DC~18GHz	1.20:1(max)	<1.5dB	<±0.05dB	<±1.5°

* Available with different lengths upon request.

NAC Series— Expanding Products

NMD1.85mm Series								
P/N	Connector 1	Connector 2	Length	Frequency	VSWR	IL	Amplitude Stability	Phase Stability
NAC7171BL1	NMD1.85mm Female	NMD1.85mm Female	63cm	DC~67GHz	1.40:1(max)	<5.2dB	<±0.05dB	<±3.0°
NAC7161DL1	NMD1.85mm Female	1.85mm Male	63cm	DC~67GHz	1.40:1(max)	<5.2dB	<±0.05dB	<±3.0°
NAC7171AL1	NMD1.85mm Male	NMD1.85mm Male	63cm	DC~67GHz	1.40:1(max)	<5.2dB	<±0.05dB	<±3.0°
NAC7161CL1	NMD1.85mm Male	1.85mm Female	63cm	DC~67GHz	1.40:1(max)	<5.2dB	<±0.05dB	<±3.0°
NAC7161AL1	NMD1.85mm Male	1.85mm Male	63cm	DC~67GHz	1.40:1(max)	<5.2dB	<±0.05dB	<±3.0°
NMD2.4mm Series								
P/N	Connector 1	Connector 2	Length	Frequency	VSWR	IL	Amplitude Stability	Phase Stability
NAC7878BL1	NMD2.4mm Female	NMD2.4mm Female	63cm	DC~50GHz	1.30:1(max)	<3.0dB	<±0.05dB	<±3.0°
NAC7868DL1	NMD2.4mm Female	2.4mm Male	63cm	DC~50GHz	1.30:1(max)	<3.0dB	<±0.05dB	<±3.0°
NAC7837BL1	NMD2.4mm Female	NMD2.92mm Female	63cm	DC~40GHz	1.30:1(max)	<2.8dB	<±0.05dB	<±2.5°
NAC7867DL1	NMD2.4mm Female	2.92mm Male	63cm	DC~40GHz	1.30:1(max)	<2.8dB	<±0.05dB	<±2.5°
NAC7878AL1	NMD2.4mm Male	NMD2.4mm Male	63cm	DC~50GHz	1.30:1(max)	<3.0dB	<±0.05dB	<±3.0°
NAC7868CL1	NMD2.4mm Male	2.4mm Female	63cm	DC~50GHz	1.30:1(max)	<3.0dB	<±0.05dB	<±3.0°
NAC7868AL1	NMD2.4mm Male	2.4mm Male	63cm	DC~50GHz	1.30:1(max)	<3.0dB	<±0.05dB	<±3.0°
NAC7837AL1	NMD2.4mm Male	NMD2.92mm Male	63cm	DC~40GHz	1.30:1(max)	<2.8dB	<±0.05dB	<±2.5°
NAC7867CL1	NMD2.4mm Male	2.92mm Female	63cm	DC~40GHz	1.30:1(max)	<2.8dB	<±0.05dB	<±2.5°
NAC7867AL1	NMD2.4mm Male	2.92mm Male	63cm	DC~40GHz	1.30:1(max)	<2.8dB	<±0.05dB	<±2.5°
NMD2.92mm Series								
P/N	Connector 1	Connector 2	Length	Frequency	VSWR	IL	Amplitude Stability	Phase Stability
NAC3768DL1	NMD2.92mm Female	2.4mm Male	63cm	DC~40GHz	1.30:1(max)	<2.8dB	<±0.05dB	<±2.5°
NAC3737BL1	NMD2.92mm Female	NMD2.92mm Female	63cm	DC~40GHz	1.30:1(max)	<2.8dB	<±0.05dB	<±2.5°
NAC3767DL1	NMD2.92mm Female	2.92mm Male	63cm	DC~40GHz	1.30:1(max)	<2.8dB	<±0.05dB	<±2.5°
NAC3768CL1	NMD2.92mm Male	2.4mm Female	63cm	DC~40GHz	1.30:1(max)	<2.8dB	<±0.05dB	<±2.5°
NAC3768AL1	NMD2.92mm Male	2.4mm Male	63cm	DC~40GHz	1.30:1(max)	<2.8dB	<±0.05dB	<±2.5°
NAC3737AL1	NMD2.92mm Male	NMD2.92mm Male	63cm	DC~40GHz	1.30:1(max)	<2.8dB	<±0.05dB	<±2.5°
NAC3767CL1	NMD2.92mm Male	2.92mm Female	63cm	DC~40GHz	1.30:1(max)	<2.8dB	<±0.05dB	<±2.5°
NAC3767AL1	NMD2.92mm Male	2.92mm Male	63cm	DC~40GHz	1.30:1(max)	<2.8dB	<±0.05dB	<±2.5°
NMD3.5mm Series								
P/N	Connector 1	Connector 2	Length	Frequency	VSWR	IL	Amplitude Stability	Phase Stability
NAC7676BL1	NMD3.5mm Female	NMD3.5mm Female	63cm	DC~26.5GHz	1.25:1(max)	<1.8dB	<±0.05dB	<±2.0°
NAC7666DL1	NMD3.5mm Female	3.5mm Male	63cm	DC~26.5GHz	1.25:1(max)	<1.8dB	<±0.05dB	<±2.0°
NAC7665BL1	NMD3.5mm Female	N Female	63cm	DC~18GHz	1.20:1(max)	<1.5dB	<±0.05dB	<±1.5°

NAC7665DL1	NMD3.5mm Female	N Male	63cm	DC~18GHz	1.20:1(max)	<1.5dB	<±0.05dB	<±1.5°
NAC7635BL1	NMD3.5mm Female	7mm Sexless	63cm	DC~18GHz	1.20:1(max)	<1.5dB	<±0.05dB	<±1.5°
NAC7666CL1	NMD3.5mm Male	3.5mm Female	63cm	DC~26.5GHz	1.25:1(max)	<1.8dB	<±0.05dB	<±2.0°
NAC7666AL1	NMD3.5mm Male	3.5mm Male	63cm	DC~26.5GHz	1.25:1(max)	<1.8dB	<±0.05dB	<±2.0°
NAC7676AL1	NMD3.5mm Male	NMD3.5mm Male	63cm	DC~26.5GHz	1.25:1(max)	<1.8dB	<±0.05dB	<±2.0°
NAC7665CL1	NMD3.5mm Male	N Female	63cm	DC~18GHz	1.20:1(max)	<1.5dB	<±0.05dB	<±1.5°
NAC7665AL1	NMD3.5mm Male	N Male	63cm	DC~18GHz	1.20:1(max)	<1.5dB	<±0.05dB	<±1.5°
NAC7635AL1	NMD3.5mm Male	7mm Sexless	63cm	DC~18GHz	1.20:1(max)	<1.5dB	<±0.05dB	<±1.5°

N Type Series

P/N	Connector 1	Connector 2	Length	Frequency	VSWR	IL	Amplitude Stability	Phase Stability
NAC6566BL1	N Female	3.5mm Female	63cm	DC~18GHz	1.20:1(max)	<1.5dB	<±0.05dB	<±1.5°
NAC6566DL1	N Female	3.5mm Male	63cm	DC~18GHz	1.20:1(max)	<1.5dB	<±0.05dB	<±1.5°
NAC6565BL1	N Female	N Female	63cm	DC~18GHz	1.20:1(max)	<1.5dB	<±0.05dB	<±1.5°
NAC6535BL1	N Female	7mm Sexless	63cm	DC~18GHz	1.20:1(max)	<1.5dB	<±0.05dB	<±1.5°
NAC6566CL1	N Male	3.5mm Female	63cm	DC~18GHz	1.20:1(max)	<1.5dB	<±0.05dB	<±1.5°
NAC6566AL1	N Male	3.5mm Male	63cm	DC~18GHz	1.20:1(max)	<1.5dB	<±0.05dB	<±1.5°
NAC6535AL1	N Male	7mm Sexless	63cm	DC~18GHz	1.20:1(max)	<1.5dB	<±0.05dB	<±1.5°

7mm Series

P/N	Connector 1	Connector 2	Length	Frequency	VSWR	IL	Amplitude Stability	Phase Stability
NAC3566BL1	7mm Sexless	3.5mm Female	63cm	DC~18GHz	1.20:1(max)	<1.5dB	<±0.05dB	<±1.5°
NAC3566AL1	7mm Sexless	3.5mm Male	63cm	DC~18GHz	1.20:1(max)	<1.5dB	<±0.05dB	<±1.5°

* Available with different lengths upon request.

NBC Series — Economy VNA Test Assemblies



NBC series cable assemblies possess good microwave electrical performance and phase and amplitude stability. The flexible and lighter structure makes the testing more efficient. The patented design provide stable performance in laboratory and production applications.

Connector Materials	
Body	Stainless Steel, Passivated
Center Conductor	Au-plated Beryllium Copper
Cable Descriptions	
Center Conductor	Ag-plated Copper
Dielectric	PTFE
Outer Conductor	Ag-plated Copper Tape
Inner Braid	Ag-plated Copper Braid
Outer Jacket	Multilayer armour
Environmental data	
Operating Temperature	0°C~+40°C
Storage Temperature	-40°C~+75°C

NBC Series Selection Matrix

Connector1 Connector2	NMD2.4mm female	NMD2.92mm female	NMD3.5mm female
2.4mm	√	√	
2.92mm	√	√	
3.5mm			√
N			√
7mm			√

NBC Series

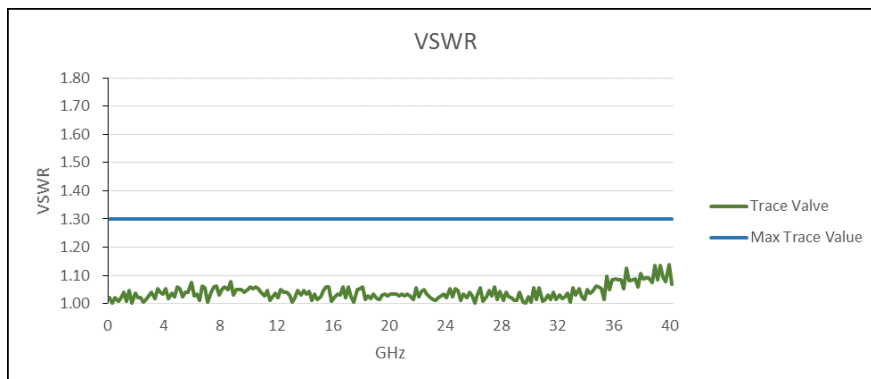
NMD2.4mm Series										
P/N	Connector 1		Connector 2		Length	Frequency	VSWR	IL	Amplitude Stability	Phase Stability
NBC7868BL1	NMD2.4mm	Female	2.4mm	Female	63cm	DC~50GHz	1.35:1(max)	<2.65dB	<±0.1dB	<±5.5°
NBC7868DL1	NMD2.4mm	Female	2.4mm	Male	63cm	DC~50GHz	1.35:1(max)	<2.65dB	<±0.1dB	<±5.5°
NBC7868BL1-G7	NMD2.4mm	Female	2.4mm	Female	63cm	DC~40GHz	1.30:1(max)	<1.98dB	<±0.1dB	<±4.5°
NBC7868DL1-G7	NMD2.4mm	Female	2.4mm	Male	63cm	DC~40GHz	1.30:1(max)	<1.98dB	<±0.1dB	<±4.5°
NBC7867BL1	NMD2.4mm	Female	2.92mm	Female	63cm	DC~40GHz	1.30:1(max)	<1.98dB	<±0.1dB	<±4.5°
NBC7867DL1	NMD2.4mm	Female	2.92mm	Male	63cm	DC~40GHz	1.30:1(max)	<1.98dB	<±0.1dB	<±4.5°
NMD2.92mm Series										
P/N	Connector 1		Connector 2		Length	Frequency	VSWR	IL	Amplitude Stability	Phase Stability
NBC3768BL1	NDM2.92mm	Female	2.4mm	Female	63cm	DC~40GHz	1.30:1(max)	<1.98dB	<±0.1dB	<±4.5°
NBC3768DL1	NDM2.92mm	Female	2.4mm	Male	63cm	DC~40GHz	1.30:1(max)	<1.98dB	<±0.1dB	<±4.5°
NBC3767BL1	NDM2.92mm	Female	2.92mm	Female	63cm	DC~40GHz	1.30:1(max)	<1.98dB	<±0.1dB	<±4.5°
NBC3767DL1	NDM2.92mm	Female	2.92mm	Male	63cm	DC~40GHz	1.30:1(max)	<1.98dB	<±0.1dB	<±4.5°
NMD3.5mm Series										
P/N	Connector 1		Connector 2		Length	Frequency	VSWR	IL	Amplitude Stability	Phase Stability
NBC7666BL1	NMD3.5mm	Female	3.5mm	Female	63cm	DC~26.5GHz	1.25:1(max)	<0.9dB	<±0.1dB	<±4°
NBC7666DL1	NMD3.5mm	Female	3.5mm	Male	63cm	DC~26.5GHz	1.25:1(max)	<0.9dB	<±0.1dB	<±4°
NBC7665BL1	NMD3.5mm	Female	N	Female	63cm	DC~18GHz	1.20:1(max)	<0.9dB	<±0.1dB	<±3.5°
NBC7665DL1	NMD3.5mm	Female	N	Male	63cm	DC~18GHz	1.20:1(max)	<0.9dB	<±0.1dB	<±3.5°
NBC7635BL1	NMD3.5mm	Female	7mm	Sexless	63cm	DC~18GHz	1.20:1(max)	<0.9dB	<±0.1dB	<±3.5°

* Available with different lengths upon request.

Low Loss Flexible Cable Assemblies



Arance's CAF series low loss flexible cable assemblies are unarmored. It is used for any high frequency signal transmission between systems or instruments where low loss and stability are critical. CAF series is available with a wide range of connectors offering excellent specifications. The unique small cable connectors are designed for end users who need high performance in a very small space. CAF series is also available with phase matching and armoring upon request.



* 60cm cable assembly

CAF Series—Low Loss Flexible Cable Assemblies



Connector Materials	
Body	Stainless Steel, Passivated / Au-plated Brass
Center Conductor	Au-plated Beryllium Copper
Environmental data	
Operating Temperature	-55°C~+125°C

Cable Descriptions	
Center Conductor	Ag-plated Cu
Dielectric	PTFE
Outer Conductor	Outer Conductor
Inner Braid	Ag-plated Copper Braid
Outer Jacket	PFA / FEP

CAF Series Selection Matrix

Cable Type	G6	G0	G7	G9	G4	J6	J7	J9	J4
Frequency (GHz)	≤70	≤50	≤40	≤26.5	≤18	≤67	≤40	≤26.5	≤18
Outer Dia.(mm)	2.2	3.1	3.6	4.8	7.4	2.2	3.6	5.1	7.4
Connectors	TNC			•				•	
	TNCA			•				•	
	7mm			•				•	
	N			•	•			•	•
	SMA			•	•	•		•	•
	SMA (short connector)	•		•			•	•	
	SMP(GPO)	•					•		
	SMPM (mini-SMP / GPPO)	•					•		
	3.5mm				•				•
	2.92mm			•				•	
	2.92mm (short connector)	•					•		
	2.4mm		•	•				•	
	2.4mm (short connector)	•	•				•		
	1.85mm	•					•		
1.85mm (short connector)	•					•			

Armour Options

	
Armour Code : AS Monolayer Armour	Armour Code : RU Multilayer Armour
AS series is the cable installed within a stainless steel interlocked armor in order to provide crush and pull forces resistance. It is used in production environments and outdoor applications.	RU series is more flexible while resists crush and pull forces. It is used in precision test applications where request phase and amplitude stability.

Semi-rigid & Semi-flexible Cable Assemblies



CSR Series—Semi-rigid Cable Assemblies

Arance’s CSR series semi-rigid cable assemblies are bent to the high level of precision. The cable assemblies are used for high reliable microwave interconnection between internal modules. CSR series is capable of frequency up to 60GHz. The VSWR is <1.25 up to 40GHz. Phase matching is available upon request.



CSF Series—Semi-flexible Cable Assemblies

Arance’s CSF series cable assemblies can be hand formed in-place. The cable assemblies are used for high reliable cabinet interconnects. CSR series is convenient and efficient. Phase matching is available upon request.

Cable Construction	
Center Conductor	Ag-plated Cu
Dielectric	PTFE
Outer Conductor	Sn-plated Copper/ Albaloy-plated Copper

Cable Construction	
Center Conductor	Ag-plated Cu
Dielectric	PTFE
Outer Conductor	Tin Soaked Copper Braid

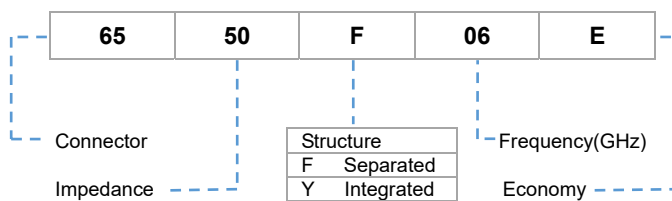
Semi-rigid & Semi-flexible Cable Assemblies Series Selection Matrix

Cable Type		Semi-rigid Cable			Semi-flexible Cable		
		047	086	141	047	086	141
Outer Dia.(mm)		1.2	2.2	3.6	1.2	2.2	3.6
Minimum Bend Radius (mm)		4	7	10	6	8	12
Connectors	SMP (GPO)		•			•	
	SMPM (mini-SMP / GPPO)		•			•	
	SMA	•	•	•	•	•	•
	N			•			•
	2.92mm		•			•	
	2.4mm		•			•	
	1.85mm		•			•	

Mechanical Calibration Kits

Mechanical Calibration Kit is a set of accurate short-open-load (SOL) and precision adapters to characterize systematic errors. To ensure the calibration effectiveness, a higher calibration standard is used to verify the performance before delivery. The stainless steel bodies and Au-plated Beryllium copper center conductors make the service life extended to more than 2000 times. Our calibration kits are used for the devices equipped with type N and 3.5mm connectors and are capable of the frequency from DC to 26.5GHz at present. More high frequency calibration kits with popular connectors are in development.

Part Numbering



Type N Calibration Kits



Precision Calibration Kits

6550F06 (50Ω 6GHz)

6550F09 (50Ω 9GHz)

6550F18 (50Ω 18GHz)



Economy Calibration Kits

6550F03E (50Ω 3GHz)

6550F06E (50Ω 6GHz)



3-in-1 OSL mechanical calibration Kits

6550Y04 (50Ω 4GHz)

6550Y06 (50Ω 6GHz)

6550Y09 (50Ω 9GHz)

Mechanical Data	
Mating Cycles	>2000 times
Coupling Torque	1.35Nm
Open-End Wrench Size	19mm

Environmental Data	
Operating Temperature	+15°C~ +35°C
Storage Temperature	-40°C~ +75°C

Devices

P/N	Frequency	Single Sex P/N	Devices	Device Model	Specifications
6550F06	DC~6GHz	6550F06-M (Male)	Open	6550F06-KM	Phase Deviation $\leq\pm 0.6^\circ$
			Short	6550F06-DM	Phase Deviation $\leq\pm 0.6^\circ$
			Load	6550F06-LM	VSWR ≤ 1.025
		6550F06-F (Female)	Open	6550F06-KF	Phase Deviation $\leq\pm 0.6^\circ$
			Short	6550F06-DF	Phase Deviation $\leq\pm 0.6^\circ$
			Load	6550F06-LF	VSWR ≤ 1.025
6550F09	DC~9GHz	6550F09-M (Male)	Open	6550F09-KM	Phase Deviation $\leq\pm 0.8^\circ$
			Short	6550F09-DM	Phase Deviation $\leq\pm 0.8^\circ$
			Load	6550F09-LM	VSWR ≤ 1.032
		6550F09-F (Female)	Open	6550F09-KF	Phase Deviation $\leq\pm 0.8^\circ$
			Short	6550F09-DF	Phase Deviation $\leq\pm 0.8^\circ$
			Load	6550F09-LF	VSWR ≤ 1.032
6550F18	DC~18GHz	6550F18-M (Male)	Open	6550F18-KM	Phase Deviation $\leq\pm 1^\circ$
			Short	6550F18-DM	Phase Deviation $\leq\pm 1^\circ$
			Load	6550F18-LM	VSWR ≤ 1.048
		6550F18-F (Female)	Open	6550F18-KF	Phase Deviation $\leq\pm 1^\circ$
			Short	6550F18-DF	Phase Deviation $\leq\pm 1^\circ$
			Load	6550F18-LF	VSWR ≤ 1.048
6550F03E	DC~3GHz	6550F03E-M (Male)	Open	6550F03E-KM	Phase Deviation $\leq\pm 0.8^\circ$
			Short	6550F03E-DM	Phase Deviation $\leq\pm 0.8^\circ$
			Load	6550F03E-LM	VSWR ≤ 1.02
		6550F03E-F (Female)	Open	6550F03E-KF	Phase Deviation $\leq\pm 0.8^\circ$
			Short	6550F03E-DF	Phase Deviation $\leq\pm 0.8^\circ$
			Load	6550F03E-LF	VSWR ≤ 1.02
6550F06E	DC~6GHz	6550F06E-M (Male)	Open	6550F06E-KM	Phase Deviation $\leq\pm 1^\circ$
			Short	6550F06E-DM	Phase Deviation $\leq\pm 1^\circ$
			Load	6550F06E-LM	VSWR ≤ 1.035
		6550F06E-F (Female)	Open	6550F06E-KF	Phase Deviation $\leq\pm 1^\circ$
			Short	6550F06E-DF	Phase Deviation $\leq\pm 1^\circ$
			Load	6550F06E-LF	VSWR ≤ 1.035
6550Y04	DC~4GHz	6550Y04-M (Male)	Integration of Open, Short, Load		Open: Phase Deviation $\leq\pm 0.6^\circ$ Short: Phase Deviation $\leq\pm 0.6^\circ$ Load: VSWR ≤ 1.025
		6550Y04-F (Female)	Integration of Open, Short, Load		Open: Phase Deviation $\leq\pm 0.6^\circ$ Short: Phase Deviation $\leq\pm 0.6^\circ$ Load: VSWR ≤ 1.025
6550Y06	DC~6GHz	6550Y06-M (Male)	Integration of Open, Short, Load		Open: Phase Deviation $\leq\pm 0.6^\circ$ Short: Phase Deviation $\leq\pm 0.6^\circ$ Load: VSWR ≤ 1.032
		6550Y06-F (Female)	Integration of Open, Short, Load		Open: Phase Deviation $\leq\pm 0.6^\circ$ Short: Phase Deviation $\leq\pm 0.6^\circ$ Load: VSWR ≤ 1.032
6550Y09	DC~9GHz	6550Y09-M (Male)	Integration of Open, Short, Load		Open: Phase Deviation $\leq\pm 0.8^\circ$ Short: Phase Deviation $\leq\pm 0.8^\circ$ Load: VSWR ≤ 1.032
		6550Y09-F (Female)	Integration of Open, Short, Load		Open: Phase Deviation $\leq\pm 0.8^\circ$ Short: Phase Deviation $\leq\pm 0.8^\circ$ Load: VSWR ≤ 1.032

Optional Adapters and Torque Wrench

Classification	P/N	Connector 1	Connector 2	Specifications
Adapters Series 1	MA6565A	N Male	N Male	DC~9GHz VSWR \leq 1.06 9~18GHz VSWR \leq 1.1
	MA6565B	N Female	N Female	
	MA6565C	N Male	N Female	
	MA6535A	N Male	7mm Sexless	
	MA6535B	N Female	7mm Sexless	
Adapters Series 2	MA6565A-11	N Male	N Male	DC~18GHz VSWR \leq 1.06
	MA6565B-11	N Female	N Female	
	MA6565C-11	N Male	N Female	
	MA6535A-11	N Male	7mm Sexless	
	MA6535B-11	N Female	7mm Sexless	
Adapters Series 3	MA6565A-31	N Male	N Male	DC~3GHz VSWR \leq 1.03 3~6GHz VSWR \leq 1.05 3~9GHz VSWR \leq 1.08
	MA6565B-31	N Female	N Female	
	MA6565C-31	N Male	N Female	
Torque Wrench	B19T135	Open-end wrench size 19mm		1.35Nm

L16 Calibration Kit



Precision Calibration Kit

5650F09(50Ω 9GHz)

Mechanical Data	
Mating Cycles	>2000 times
Coupling Torque	1.35Nm
Open-End Wrench Size	19mm

Environmental Data	
Operating Temperature	+15°C~ +35°C
Storage Temperature	-40°C~ +75°C

Devices

P/N	Frequency	Single Sex P/N	Devices	Device Model	Specifications
5650F09	DC~9GHz	5650F09-M (Male)	Open	5650F09-KM	Phase Deviation $\leq\pm 0.8^\circ$
			Short	5650F09-DM	Phase Deviation $\leq\pm 0.8^\circ$
			Load	5650F09-LM	VSWR ≤ 1.032
		5650F09-F (Female)	Open	5650F09-KF	Phase Deviation $\leq\pm 0.8^\circ$
			Short	5650F09-DF	Phase Deviation $\leq\pm 0.8^\circ$
			Load	5650F09-LF	VSWR ≤ 1.032

Optional Adapters and Torque Wrench

Classification	P/N	Connector 1	Connector 2	Specifications
Adapters	MA5656A	L16 Male	L16 Male	DC~9GHz VSWR ≤ 1.06
	MA5656B	L16 Female	L16 Female	
	MA5656C	L16 Male	L16 Female	
	MA5635A	L16 Male	7mm Sexless	
	MA5635B	L16 Female	7mm Sexless	
Torque Wrench	B19T135	Open-end wrench size 19mm		1.35Nm

3.5mm Calibration Kits



Precision Calibration Kits

6650F06 (50Ω 6GHz)
 6650F09 (50Ω 9GHz)
 6650F27 (50Ω 26.5GHz)

Mechanical Data	
Mating Cycles	>2000 次
Coupling Torque	0.9Nm
Open-End Wrench Size	8mm



Economy Calibration Kits

6650F03E (50Ω 3GHz)
 6650F06E (50Ω 6GHz)

Environmental Data	
Operating Temperature	+15°C ~ +35°C
Storage Temperature	-40°C ~ +75°C

Devices

P/N	Frequency	Single Sex P/N	Devices	Device Model	Specifications
6650F06	DC~6GHz	6650F06-M (Male)	Open	6650F06-KM	Phase Deviation $\leq\pm 0.6^\circ$
			Short	6650F06-DM	Phase Deviation $\leq\pm 0.6^\circ$
			Load	6650F06-LM	VSWR ≤ 1.025
		6650F06-F (Female)	Open	6650F06-KF	Phase Deviation $\leq\pm 0.6^\circ$
			Short	6650F06-DF	Phase Deviation $\leq\pm 0.6^\circ$
			Load	6650F06-LF	VSWR ≤ 1.025
6650F09	DC~9GHz	6650F09-M (Male)	Open	6650F09-KM	Phase Deviation $\leq\pm 0.8^\circ$
			Short	6650F09-DM	Phase Deviation $\leq\pm 0.8^\circ$
			Load	6650F09-LM	VSWR ≤ 1.032
		6650F09-F (Female)	Open	6650F09-KF	Phase Deviation $\leq\pm 0.8^\circ$
			Short	6650F09-DF	Phase Deviation $\leq\pm 0.8^\circ$
			Load	6650F09-LF	VSWR ≤ 1.032
6650F27	DC~26.5GHz	6650F27-M (Male)	Open	6650F27-KM	Phase Deviation $\leq\pm 1.5^\circ$
			Short	6650F27-DM	Phase Deviation $\leq\pm 1.5^\circ$
			Load	6650F27-LM	VSWR ≤ 1.055
		6650F27-F (Female)	Open	6650F27-KF	Phase Deviation $\leq\pm 1.5^\circ$
			Short	6650F27-DF	Phase Deviation $\leq\pm 1.5^\circ$
			Load	6650F27-LF	VSWR ≤ 1.055
6650F03E	DC~3GHz	6650F03E-M (Male)	Open	6650F06E-KM	Phase Deviation $\leq\pm 0.8^\circ @ 3\text{GHz}$
			Short	6650F06E-DM	Phase Deviation $\leq\pm 0.8^\circ @ 3\text{GHz}$
			Load	6650F03E-LM	VSWR ≤ 1.025
		6650F03E-F (Female)	Open	6650F06E-KF	Phase Deviation $\leq\pm 0.8^\circ @ 3\text{GHz}$
			Short	6650F06E-DF	Phase Deviation $\leq\pm 0.8^\circ @ 3\text{GHz}$
			Load	6650F03E-LF	VSWR ≤ 1.025
6650F06E	DC~6GHz	6650F06E-M (Male)	Open	6650F06E-KM	Phase Deviation $\leq\pm 1^\circ$
			Short	6650F06E-DM	Phase Deviation $\leq\pm 1^\circ$
			Load	6650F06E-LM	VSWR ≤ 1.035
		6650F06E-F (Female)	Open	6650F06E-KF	Phase Deviation $\leq\pm 1^\circ$
			Short	6650F06E-DF	Phase Deviation $\leq\pm 1^\circ$
			Load	6650F06E-LF	VSWR ≤ 1.035

Optional Adapters and Torque Wrench

Classification	P/N	Connector 1	Connector 2	Specifications
Adapters Series 1	MA6666A	3.5mm Male	3.5mm Male	DC~6GHz VSWR \leq 1.04 6~9GHz VSWR \leq 1.06 9~26.5GHz VSWR \leq 1.1
	MA6666B	3.5mm Female	3.5mm Female	
	MA6666C	3.5mm Male	3.5mm Female	
	MA6665A	3.5mm Male	N Male	DC~6GHz VSWR \leq 1.04 6~9GHz VSWR \leq 1.06 9~18GHz VSWR \leq 1.1
	MA6665B	3.5mm Female	N Female	
	MA6665C	3.5mm Male	N Female	
	MA6665D	3.5mm Female	N Male	
Adapters Series 2	MA6666A-11	3.5mm Male	3.5mm Male	DC~26.5GHz VSWR \leq 1.06
	MA6666B-11	3.5mm Female	3.5mm Female	
	MA6666C-11	3.5mm Male	3.5mm Female	
	MA6665A-11	3.5mm Male	N Male	DC~18GHz VSWR \leq 1.05
	MA6665B-11	3.5mm Female	N Female	
	MA6665C-11	3.5mm Male	N Female	
	MA6665D-11	3.5mm Female	N Male	
Torque Wrench	B08T090	Open-end wrench size 8mm		0.9Nm

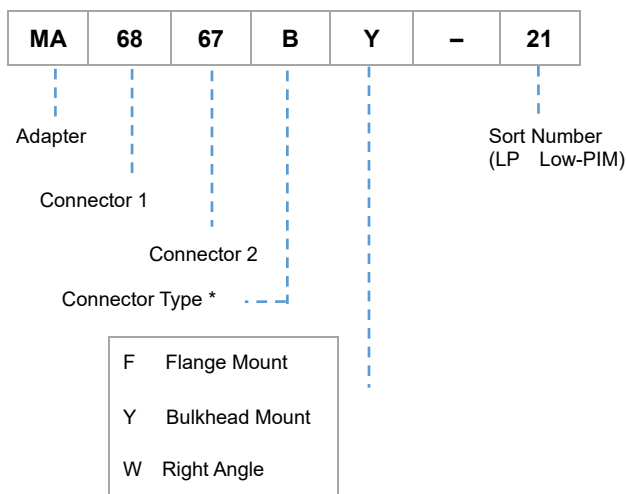
RF Coaxial Adapters

Arance's coaxial adapters contains both normal connector type and NMD connector type. We positions in test level adapters with precision interface dimension and low VSWR. The frequency can operate up to 67GHz

Our coaxial adapters are classified into the following categories.

- **NMD Test Port Adapters**
- **Precision Coaxial Adapters**
- **Low-PIM Adapters**

Part Numbering



*Connector Type

Code	Connector Type
A	Male to Male
B	Female to Female
C	Male to Female
D	Female to Male
M	Male
F	Female

NMD Test Port Adapters



NMD Test Port Adapters Selection Matrix

Connector2 \ Connector1	NMD1.85mm	NMD2.4mm	NMD2.92mm	NMD3.5mm
NMD1.85mm	√			
NMD2.4mm	√	√		
NMD2.92mm	√	√	√	
NMD3.5mm		√	√	√
1.85mm	√	√	√	
2.4mm	√	√	√	√
2.92mm	√	√	√	√
3.5mm		√	√	√
N				√
7mm				√

NMD Test Port Adapters

NMD1.85mm						
P/N	Connector 1		Connector 2		Frequency	VSWR
MA7171B	NMD1.85mm Female		NMD1.85mm Female		DC~67GHz	1.35:1(max)
MA7171D	NMD1.85mm Female		NMD1.85mm Male		DC~67GHz	1.35:1(max)
MA7178D	NMD1.85mm Female		NMD2.4mm Male		DC~50GHz	1.25:1(max)
MA7137D	NMD1.85mm Female		NMD2.92mm Male		DC~40GHz	1.20:1(max)
MA7161B	NMD1.85mm Female		1.85mm Female		DC~67GHz	1.35:1(max)
MA7161D	NMD1.85mm Female		1.85mm Male		DC~67GHz	1.35:1(max)
MA7168B	NMD1.85mm Female		2.4mm Female		DC~50GHz	1.25:1(max)
MA7168D	NMD1.85mm Female		2.4mm Male		DC~50GHz	1.25:1(max)
MA7167D	NMD1.85mm Female		2.92mm Male		DC~40GHz	1.20:1(max)
MA7161C	NMD1.85mm Male		1.85mm Female		DC~67GHz	1.35:1(max)
NMD2.4mm						
P/N	Connector 1		Connector 2		Frequency	VSWR
MA7878B	NMD2.4mm Female		NMD2.4mm Female		DC~50GHz	1.25:1(max)
MA7878D	NMD2.4mm Female		NMD2.4mm Male		DC~50GHz	1.25:1(max)
MA7837B	NMD2.4mm Female		NMD2.92mm Female		DC~40GHz	1.20:1(max)
MA7837D	NMD2.4mm Female		NMD2.92mm Male		DC~40GHz	1.20:1(max)
MA7876B	NMD2.4mm Female		NMD3.5mm Female		DC~26.5GHz	1.15:1(max)
MA7876D	NMD2.4mm Female		NMD3.5mm Male		DC~26.5GHz	1.15:1(max)
MA7868B	NMD2.4mm Female		2.4mm Female		DC~50GHz	1.25:1(max)
MA7868D	NMD2.4mm Female		2.4mm Male		DC~50GHz	1.25:1(max)
MA7867B	NMD2.4mm Female		2.92mm Female		DC~40GHz	1.20:1(max)
MA7867D	NMD2.4mm Female		2.92mm Male		DC~40GHz	1.20:1(max)
MA7866B	NMD2.4mm Female		3.5mm Female		DC~26.5GHz	1.15:1(max)
MA7866D	NMD2.4mm Female		3.5mm Male		DC~26.5GHz	1.15:1(max)
MA7861C	NMD2.4mm Male		1.85mm Female		DC~50GHz	1.25:1(max)
MA7868C	NMD2.4mm Male		2.4mm Female		DC~50GHz	1.25:1(max)
NMD2.92mm						
P/N	Connector 1		Connector 2		Frequency	VSWR
MA3737B	NMD2.92mm Female		NMD2.92mm Female		DC~40GHz	1.20:1(max)
MA3737D	NMD2.92mm Female		NMD2.92mm Male		DC~40GHz	1.20:1(max)
MA3776B	NMD2.92mm Female		NMD3.5mm Female		DC~26.5GHz	1.15:1(max)
MA3776D	NMD2.92mm Female		NMD3.5mm Male		DC~26.5GHz	1.15:1(max)
MA3768B	NMD2.92mm Female		2.4mm Female		DC~40GHz	1.20:1(max)
MA3768D	NMD2.92mm Female		2.4mm Male		DC~40GHz	1.20:1(max)
MA3767B	NMD2.92mm Female		2.92mm Female		DC~40GHz	1.20:1(max)
MA3767D	NMD2.92mm Female		2.92mm Male		DC~40GHz	1.20:1(max)
MA3767B-11	NMD2.92mm Female		2.92mm Female		DC~40GHz	1.20:1(max)
MA3767D-11	NMD2.92mm Female		2.92mm Male		DC~40GHz	1.20:1(max)
MA3766B	NMD2.92mm Female		3.5mm Female		DC~26.5GHz	1.15:1(max)
MA3766D	NMD2.92mm Female		3.5mm Male		DC~26.5GHz	1.15:1(max)

MA3766B-11	NMD2.92mm Female	3.5mm Female	DC~26.5GHz	1.15:1(max)
MA3766D-11	NMD2.92mm Female	3.5mm Male	DC~26.5GHz	1.15:1(max)
MA3761C	NMD2.92mm Male	1.85mm Female	DC~40GHz	1.20:1(max)
MA3768C	NMD2.92mm Male	2.4mm Female	DC~40GHz	1.20:1(max)
NMD3.5mm				
P/N	Connector 1	Connector 2	Frequency	VSWR
MA7676B	NMD3.5mm Female	NMD3.5mm Female	DC~26.5GHz	1.15:1(max)
MA7676D	NMD3.5mm Female	NMD3.5mm Male	DC~26.5GHz	1.15:1(max)
MA7668B	NMD3.5mm Female	2.4mm Female	DC~26.5GHz	1.15:1(max)
MA7667B	NMD3.5mm Female	2.92mm Female	DC~26.5GHz	1.15:1(max)
MA7667B-11	NMD3.5mm Female	2.92mm Female	DC~26.5GHz	1.15:1(max)
MA7666B	NMD3.5mm Female	3.5mm Female	DC~26.5GHz	1.15:1(max)
MA7666D	NMD3.5mm Female	3.5mm Male	DC~26.5GHz	1.15:1(max)
MA7666B-11	NMD3.5mm Female	3.5mm Female	DC~26.5GHz	1.15:1(max)
MA7666D-11	NMD3.5mm Female	3.5mm Male	DC~26.5GHz	1.15:1(max)
MA7665B	NMD3.5mm Female	N Female	DC~18GHz	1.15:1(max)
MA7665D	NMD3.5mm Female	N Male	DC~18GHz	1.15:1(max)
MA7635B	NMD3.5mm Female	7mm Sexless	DC~18GHz	1.10:1(max)
MA7668C	NMD3.5mm Male	2.4mm Female	DC~26.5GHz	1.15:1(max)
MA7667C	NMD3.5mm Male	2.92mm Female	DC~26.5GHz	1.15:1(max)
MA7635A	NMD3.5mm Male	7mm Sexless	DC~18GHz	1.10:1(max)

Precision Coaxial Adapters

1.85mm Adapters						
P/N	Connector 1	Connector 2	Description	Frequency	VSWR	
MA6161B-21	1.85mm Female	1.85mm Female	Straight	DC~65GHz	1.25:1(max)	
MA6161BY-21	1.85mm Female	1.85mm Female	Straight, Bulkhead Mount	DC~65GHz	1.25:1(max)	
MA6163B-11	1.85mm Female	SMPM Female	Straight	DC~65GHz	1.35:1(max)	
MA6163D-11	1.85mm Female	SMPM Male(Full Detent)	Straight	DC~65GHz	1.35:1(max)	
MA6163D-13	1.85mm Female	SMPM Male(Smooth Bore)	Straight	DC~65GHz	1.35:1(max)	
MA6168B-21	1.85mm Female	2.4mm Female	Straight	DC~50GHz	1.25:1(max)	
MA6168D-21	1.85mm Female	2.4mm Male	Straight	DC~50GHz	1.25:1(max)	
MA6167B-21	1.85mm Female	2.92mm Female	Straight	DC~40GHz	1.20:1(max)	
MA6167D-21	1.85mm Female	2.92mm Male	Straight	DC~40GHz	1.15:1(max)	
MA6166B-21	1.85mm Female	3.5mm Female	Straight	DC~26.5GHz	1.15:1(max)	
MA6166D-21	1.85mm Female	3.5mm Male	Straight	DC~26.5GHz	1.15:1(max)	
MA6161C-21	1.85mm Male	1.85mm Female	Straight	DC~65GHz	1.25:1(max)	
MA6161CY-21	1.85mm Male	1.85mm Female	Straight, Bulkhead Mount	DC~65GHz	1.25:1(max)	
MA6161A-21	1.85mm Male	1.85mm Male	Straight	DC~65GHz	1.25:1(max)	
MA6163C-11	1.85mm Male	SMPM Female	Straight	DC~65GHz	1.35:1(max)	
MA6163A-11	1.85mm Male	SMPM Male(Full Detent)	Straight	DC~65GHz	1.35:1(max)	
MA6163A-13	1.85mm Male	SMPM Male(Smooth Bore)	Straight	DC~65GHz	1.35:1(max)	
MA6168C-21	1.85mm Male	2.4mm Female	Straight	DC~50GHz	1.25:1(max)	
MA6168A-21	1.85mm Male	2.4mm Male	Straight	DC~50GHz	1.25:1(max)	
MA6167C-21	1.85mm Male	2.92mm Female	Straight	DC~40GHz	1.15:1(max)	
MA6167A-21	1.85mm Male	2.92mm Male	Straight	DC~40GHz	1.15:1(max)	
MA6166C-21	1.85mm Male	3.5mm Female	Straight	DC~26.5GHz	1.15:1(max)	
MA6166A-21	1.85mm Male	3.5mm Male	Straight	DC~26.5GHz	1.15:1(max)	
SMPM Adapters						
P/N	Connector 1	Connector 2	Description	Frequency	VSWR	
MA6368B-11	SMPM Female	2.4mm Female	Straight	DC~50GHz	1.30:1(max)	
MA6368D-11	SMPM Female	2.4mm Male	Straight	DC~50GHz	1.30:1(max)	
MA6367B11	SMPM Female	2.92mm Female	Straight	DC~40GHz	1.25:1(max)	
MA6367D-11	SMPM Female	2.92mm Male	Straight	DC~40GHz	1.25:1(max)	
MA6369B11	SMPM Female	SMA Female	Straight	DC~26.5GHz	1.20:1(max)	
MA6369D-11	SMPM Female	SMA Male	Straight	DC~26.5GHz	1.20:1(max)	
MA6368C-11	SMPM Male(Full Detent)	2.4mm Female	Straight	DC~50GHz	1.30:1(max)	
MA6368A-11	SMPM Male(Full Detent)	2.4mm Male	Straight	DC~50GHz	1.30:1(max)	
MA6367C-11	SMPM Male(Full Detent)	2.92mm Female	Straight	DC~40GHz	1.25:1(max)	
MA6367A-11	SMPM Male(Full Detent)	2.92mm Male	Straight	DC~40GHz	1.25:1(max)	
MA6369C-11	SMPM Male(Full Detent)	SMA Female	Straight	DC~26.5GHz	1.20:1(max)	
MA6369A-11	SMPM Male(Full Detent)	SMA Male	Straight	DC~26.5GHz	1.20:1(max)	
MA6368C-13	SMPM Male(Smooth Bore)	2.4mm Female	Straight	DC~50GHz	1.30:1(max)	
MA6368A-13	SMPM Male(Smooth Bore)	2.4mm Male	Straight	DC~50GHz	1.30:1(max)	
MA6367C-13	SMPM Male(Smooth Bore)	2.92mm Female	Straight	DC~40GHz	1.25:1(max)	
MA6367A-13	SMPM Male(Smooth Bore)	2.92mm Male	Straight	DC~40GHz	1.25:1(max)	
MA6369C-13	SMPM Male(Smooth Bore)	SMA Female	Straight	DC~26.5GHz	1.20:1(max)	
MA6369A-13	SMPM Male(Smooth Bore)	SMA Male	Straight	DC~26.5GHz	1.20:1(max)	
2.4mm Adapters						
P/N	Connector 1	Connector 2	Description	Frequency	VSWR	
MA6868B-21	2.4mm Female	2.4mm Female	Straight	DC~50GHz	1.20:1(max)	
MA6868BF01-21	2.4mm Female	2.4mm Female	Straight, 4 Hole Flange Mount	DC~50GHz	1.20:1(max)	
MA6868BY-21	2.4mm Female	2.4mm Female	Straight, Bulkhead Mount	DC~50GHz	1.20:1(max)	
MA6867B-21	2.4mm Female	2.92mm Female	Straight	DC~40GHz	1.20:1(max)	
MA6867D-21	2.4mm Female	2.92mm Male	Straight	DC~40GHz	1.15:1(max)	
MA6867BF01-21	2.4mm Female	2.92mm Female	Straight, 4 Hole Flange Mount	DC~40GHz	1.20:1(max)	

MA6862B-21	2.4mm Female	SMP Female	Straight	DC~40GHz	1.25:1(max)
MA6862D-21	2.4mm Female	SMP Male(Full Detent)	Straight	DC~40GHz	1.25:1(max)
MA6862D-22	2.4mm Female	SMP Male(Limited Detent)	Straight	DC~40GHz	1.25:1(max)
MA6862D-23	2.4mm Female	SMP Male(Smooth Bore)	Straight	DC~40GHz	1.25:1(max)
MA6866B-21	2.4mm Female	3.5mm Female	Straight	DC~26.5GHz	1.15:1(max)
MA6866D-21	2.4mm Female	3.5mm Male	Straight	DC~26.5GHz	1.15:1(max)
MA6864B-21	2.4mm Female	SSMA Female	Straight	DC~40GHz	1.20:1(max)
MA6864D-21	2.4mm Female	SSMA Male	Straight	DC~40GHz	1.20:1(max)
MA6869B-21	2.4mm Female	SMA Female	Straight	DC~26.5GHz	1.15:1(max)
MA6869D-21	2.4mm Female	SMA Male	Straight	DC~26.5GHz	1.15:1(max)
MA6865B-21	2.4mm Female	N Female	Straight	DC~18GHz	1.15:1(max)
MA6865D-21	2.4mm Female	N Male	Straight	DC~18GHz	1.15:1(max)
MA6868C-21	2.4mm Male	2.4mm Female	Straight	DC~50GHz	1.15:1(max)
MA6868A-21	2.4mm Male	2.4mm Male	Straight	DC~50GHz	1.15:1(max)
MA6867C-21	2.4mm Male	2.92mm Female	Straight	DC~40GHz	1.15:1(max)
MA6867A-21	2.4mm Male	2.92mm Male	Straight	DC~40GHz	1.15:1(max)
MA6862C-21	2.4mm Male	SMP Female	Straight	DC~40GHz	1.25:1(max)
MA6862A-21	2.4mm Male	SMP Male(Full Detent)	Straight	DC~40GHz	1.25:1(max)
MA6862A-22	2.4mm Male	SMP Male(Limited Detent)	Straight	DC~40GHz	1.25:1(max)
MA6862A-23	2.4mm Male	SMP Male(Smooth Bore)	Straight	DC~40GHz	1.25:1(max)
MA6866C-21	2.4mm Male	3.5mm Female	Straight	DC~26.5GHz	1.15:1(max)
MA6866A-21	2.4mm Male	3.5mm Male	Straight	DC~26.5GHz	1.15:1(max)
MA6864C-21	2.4mm Male	SSMA Female	Straight	DC~40GHz	1.20:1(max)
MA6864A-21	2.4mm Male	SSMA Male	Straight	DC~40GHz	1.20:1(max)
MA6869C-21	2.4mm Male	SMA Female	Straight	DC~26.5GHz	1.15:1(max)
MA6869A-21	2.4mm Male	SMA Male	Straight	DC~26.5GHz	1.15:1(max)
MA6865C-21	2.4mm Male	N Female	Straight	DC~18GHz	1.15:1(max)
MA6865A-21	2.4mm Male	N Male	Straight	DC~18GHz	1.15:1(max)

2.92mm Adapters

P/N	Connector 1	Connector 2	Description	Frequency	VSWR
MA6767B-21	2.92mm Female	2.92mm Female	Straight	DC~40GHz	1.20:1(max)
MA6767BF01-21	2.92mm Female	2.92mm Female	Straight, 4 Hole Flange Mount	DC~40GHz	1.20:1(max)
MA6767BF01-22	2.92mm Female	2.92mm Female	Straight, 4 Hole Flange Mount	DC~40GHz	1.20:1(max)
MA6767DF01-21	2.92mm Female	2.92mm Male	Straight, 4 Hole Flange Mount	DC~40GHz	1.15:1(max)
MA6767BY-21	2.92mm Female	2.92mm Female	Straight, Bulkhead Mount	DC~40GHz	1.20:1(max)
MA6767BY-22	2.92mm Female	2.92mm Female	Straight, Bulkhead Mount	DC~40GHz	1.20:1(max)
MA6767BY-23	2.92mm Female	2.92mm Female	Straight, Bulkhead Mount	DC~40GHz	1.20:1(max)
MA6767DY-21	2.92mm Female	2.92mm Male	Straight, Bulkhead Mount	DC~40GHz	1.15:1(max)
MA6767BW-21	2.92mm Female	2.92mm Female	Right Angle	DC~40GHz	1.25:1(max)
MA6764B-21	2.92mm Female	SSMA Female	Straight	DC~40GHz	1.20:1(max)
MA6764D-21	2.92mm Female	SSMA Male	Straight	DC~40GHz	1.20:1(max)
MA6762B-21	2.92mm Female	SMP Female	Straight	DC~40GHz	1.25:1(max)
MA6762D-21	2.92mm Female	SMP Male(Full Detent)	Straight	DC~40GHz	1.25:1(max)
MA6762D-22	2.92mm Female	SMP Male(Limited Detent)	Straight	DC~40GHz	1.25:1(max)
MA6762D-23	2.92mm Female	SMP Male(Smooth Bore)	Straight	DC~40GHz	1.25:1(max)
MA6766B-21	2.92mm Female	3.5mm Female	Straight	DC~26.5GHz	1.15:1(max)
MA6766BF01-21	2.92mm Female	3.5mm Female	Straight, 4 Hole Flange Mount	DC~26.5GHz	1.15:1(max)
MA6766D-21	2.92mm Female	3.5mm Male	Straight	DC~26.5GHz	1.15:1(max)
MA6769B-21	2.92mm Female	SMA Female	Straight	DC~26.5GHz	1.15:1(max)
MA6769D-21	2.92mm Female	SMA Male	Straight	DC~26.5GHz	1.15:1(max)
MA6765B-21	2.92mm Female	N Female	Straight	DC~18GHz	1.15:1(max)
MA6765D-21	2.92mm Female	N Male	Straight	DC~18GHz	1.15:1(max)
MA6767C-21	2.92mm Male	2.92mm Female	Straight	DC~40GHz	1.15:1(max)
MA6767CW-21	2.92mm Male	2.92mm Female	Right Angle	DC~40GHz	1.25:1(max)
MA6767A-21	2.92mm Male	2.92mm Male	Straight	DC~40GHz	1.15:1(max)
MA6767AY-21	2.92mm Male	2.92mm Male	Straight, Bulkhead Mount	DC~40GHz	1.15:1(max)

MA6767AW-11	2.92mm Male	2.92mm Male	Right Angle	DC~40GHz	1.25:1(max)
MA6764C-21	2.92mm Male	SSMA Female	Straight	DC~40GHz	1.20:1(max)
MA6764A-21	2.92mm Male	SSMA Male	Straight	DC~40GHz	1.20:1(max)
MA6762C-21	2.92mm Male	SMP Female	Straight	DC~40GHz	1.25:1(max)
MA6762A-21	2.92mm Male	SMP Male(Full Detent)	Straight	DC~40GHz	1.25:1(max)
MA6762A-22	2.92mm Male	SMP Male (Limited Detent)	Straight	DC~40GHz	1.25:1(max)
MA6762A-23	2.92mm Male	SMP Male(Smooth Bore)	Straight	DC~40GHz	1.25:1(max)
MA6766C-21	2.92mm Male	3.5mm Female	Straight	DC~26.5GHz	1.15:1(max)
MA6766A-21	2.92mm Male	3.5mm Male	Straight	DC~26.5GHz	1.15:1(max)
MA6769C-21	2.92mm Male	SMA Female	Straight	DC~26.5GHz	1.15:1(max)
MA6769A-21	2.92mm Male	SMA Male	Straight	DC~26.5GHz	1.15:1(max)
MA6765C-21	2.92mm Male	N Female	Straight	DC~18GHz	1.15:1(max)
MA6765A-21	2.92mm Male	N Male	Straight	DC~18GHz	1.15:1(max)

SSMA Adapters

P/N	Connector 1	Connector 2	Description	Frequency	VSWR
MA6464B-21	SSMA Female	SSMA Female	Straight	DC~40GHz	1.20:1(max)
MA6469B-21	SSMA Female	SMA Female	Straight	DC~26.5GHz	1.15:1(max)
MA6469D-21	SSMA Female	SMA Male	Straight	DC~26.5GHz	1.15:1(max)
MA6464C-21	SSMA Male	SSMA Female	Straight	DC~40GHz	1.20:1(max)
MA6464A-21	SSMA Male	SSMA Male	Straight	DC~40GHz	1.20:1(max)
MA6469C-21	SSMA Male	SMA Female	Straight	DC~26.5GHz	1.15:1(max)
MA6469A-21	SSMA Male	SMA Male	Straight	DC~26.5GHz	1.15:1(max)

SMP Adapters

P/N	Connector 1	Connector 2	Description	Frequency	VSWR
MA6269B-21	SMP Female	SMA Female	Straight	DC~26.5GHz	1.20:1(max)
MA6269D-21	SMP Female	SMA Male	Straight	DC~26.5GHz	1.20:1(max)
MA6269C-21	SMP Male(Full Detent)	SMA Female	Straight	DC~26.5GHz	1.20:1(max)
MA6269A-21	SMP Male(Full Detent)	SMA Male	Straight	DC~26.5GHz	1.20:1(max)
MA6269C-22	SMP Male(Limited Detent)	SMA Female	Straight	DC~26.5GHz	1.20:1(max)
MA6269A-22	SMP Male(Limited Detent)	SMA Male	Straight	DC~26.5GHz	1.20:1(max)
MA6269C-23	SMP Male(Smooth Bore)	SMA Female	Straight	DC~26.5GHz	1.20:1(max)
MA6269A-23	SMP Male(Smooth Bore)	SMA Male	Straight	DC~26.5GHz	1.20:1(max)

3.5mm Adapters

P/N	Connector 1	Connector 2	Description	Frequency	VSWR
MA6666B-21	3.5mm Female	3.5mm Female	Straight	DC~26.5GHz	1.15:1(max)
MA6666BF01-21	3.5mm Female	3.5mm Female	Straight, 4 Hole Flange Mount	DC~26.5GHz	1.15:1(max)
MA6666BF01-22	3.5mm Female	3.5mm Female	Straight, 4 Hole Flange Mount	DC~26.5GHz	1.15:1(max)
MA6666BY-21	3.5mm Female	3.5mm Female	Straight, Bulkhead Mount	DC~26.5GHz	1.15:1(max)
MA6666BY-22	3.5mm Female	3.5mm Female	Straight, Bulkhead Mount	DC~26.5GHz	1.15:1(max)
MA6666BW-21	3.5mm Female	3.5mm Female	Right Angle	DC~26.5GHz	1.25:1(max)
MA6669B-21	3.5mm Female	SMA Female	Straight	DC~26.5GHz	1.15:1(max)
MA6669D-21	3.5mm Female	SMA Male	Straight	DC~26.5GHz	1.15:1(max)
MA6665B-21	3.5mm Female	N Female	Straight	DC~18GHz	1.15:1(max)
MA6665D-21	3.5mm Female	N Male	Straight	DC~18GHz	1.15:1(max)
MA6635B-21	3.5mm Female	7mm Sexless	Straight	DC~18GHz	1.15:1(max)
MA6666C-21	3.5mm Male	3.5mm Female	Straight	DC~26.5GHz	1.15:1(max)
MA6666CW-21	3.5mm Male	3.5mm Female	Right Angle	DC~26.5GHz	1.25:1(max)
MA6666A-21	3.5mm Male	3.5mm Male	Straight	DC~26.5GHz	1.15:1(max)
MA6666AW-21	3.5mm Male	3.5mm Male	Right Angle	DC~26.5GHz	1.25:1(max)
MA6669C-21	3.5mm Male	SMA Female	Straight	DC~26.5GHz	1.15:1(max)
MA6669A-21	3.5mm Male	SMA Male	Straight	DC~26.5GHz	1.15:1(max)
MA6665C-21	3.5mm Male	N Female	Straight	DC~18GHz	1.15:1(max)
MA6665A-21	3.5mm Male	N Male	Straight	DC~18GHz	1.15:1(max)
MA6635A-21	3.5mm Male	7mm Sexless	Straight	DC~18GHz	1.15:1(max)

SMA Adapters						
P/N	Connector 1	Connector 2	Description	Frequency	VSWR	
MA6969B-21	SMA Female	SMA Female	Straight	DC~26.5GHz	1.15:1(max)	
MA6969B-31	SMA Female	SMA Female	Straight	DC~18GHz	1.15:1(max)	
MA6969BF01-21	SMA Female	SMA Female	Straight, 4 Hole Flange Mount	DC~26.5GHz	1.15:1(max)	
MA6969BF01-22	SMA Female	SMA Female	Straight, 4 Hole Flange Mount	DC~26.5GHz	1.15:1(max)	
MA6969BF01-23	SMA Female	SMA Female	Straight, 4 Hole Flange Mount	DC~26.5GHz	1.15:1(max)	
MA6969BY-21	SMA Female	SMA Female	Straight, Bulkhead Mount	DC~26.5GHz	1.15:1(max)	
MA6969BY-22	SMA Female	SMA Female	Straight, Bulkhead Mount	DC~26.5GHz	1.15:1(max)	
MA6969BW-21	SMA Female	SMA Female	Right Angle	DC~26.5GHz	1.25:1(max)	
MA6969DY-21	SMA Female	SMA Male	Straight, Bulkhead Mount	DC~26.5GHz	1.15:1(max)	
MA6965B-21	SMA Female	N Female	Straight	DC~18GHz	1.15:1(max)	
MA6965B-31	SMA Female	N Female	Straight	DC~18GHz	1.20:1(max)	
MA6965BF10-21	SMA Female	N Female	Straight, 4 Hole Flange Mount	DC~18GHz	1.15:1(max)	
MA6965BF10-22	SMA Female	N Female	Straight, 4 Hole Flange Mount	DC~18GHz	1.15:1(max)	
MA6965BY-21	SMA Female	N Female	Straight, Bulkhead Mount	DC~18GHz	1.15:1(max)	
MA6965BY-22	SMA Female	N Female	Straight, Bulkhead Mount	DC~18GHz	1.15:1(max)	
MA6965D-21	SMA Female	N Male	Straight	DC~18GHz	1.15:1(max)	
MA6965D-31	SMA Female	N Male	Straight	DC~18GHz	1.20:1(max)	
MA6956B-21	SMA Female	L16 Female	Straight	DC~18GHz	1.15:1(max)	
MA6956D-21	SMA Female	L16 Male	Straight	DC~18GHz	1.15:1(max)	
MA6942B-31	SMA Female	BMA Female	Straight	DC~18GHz	1.25:1(max)	
MA6942D-31	SMA Female	BMA Male	Straight	DC~18GHz	1.25:1(max)	
MA6933B-21	SMA Female	TNCA Female	Straight	DC~18GHz	1.15:1(max)	
MA6933BF09-21	SMA Female	TNCA Female	Straight, 4 Hole Flange Mount	DC~18GHz	1.15:1(max)	
MA6933BY-21	SMA Female	TNCA Female	Straight, Bulkhead Mount	DC~18GHz	1.15:1(max)	
MA6933D-21	SMA Female	TNCA Male	Straight	DC~18GHz	1.15:1(max)	
MA6944B-31	SMA Female	SSMB Female	Straight	DC~12GHz	1.20:1(max)	
MA6944D-31	SMA Female	SSMB Male	Straight	DC~12GHz	1.20:1(max)	
MA6946B-31	SMA Female	SSMC Female	Straight	DC~12GHz	1.20:1(max)	
MA6946D-31	SMA Female	SSMC Male	Straight	DC~12GHz	1.20:1(max)	
MA6932B-21	SMA Female	TNC Female	Straight	DC~11GHz	1.15:1(max)	
MA6932D-21	SMA Female	TNC Male	Straight	DC~11GHz	1.15:1(max)	
MA6932B-31	SMA Female	TNC Female	Straight	DC~11GHz	1.20:1(max)	
MA6932D-31	SMA Female	TNC Male	Straight	DC~11GHz	1.20:1(max)	
MA6941B-31	SMA Female	1.0-2.3 Female	Straight	DC~10GHz	1.25:1(max)	
MA6941D-31	SMA Female	1.0-2.3 Male(Snap-on)	Straight	DC~10GHz	1.25:1(max)	
MA6941D-32	SMA Female	1.0-2.3 Male(Slide-in)	Straight	DC~10GHz	1.25:1(max)	
MA6945B-31	SMA Female	SMC Female	Straight	DC~10GHz	1.25:1(max)	
MA6945D-31	SMA Female	SMC Male	Straight	DC~10GHz	1.25:1(max)	
MA6947B-31	SMA Female	MCX Female	Straight	DC~6GHz	1.20:1(max)	
MA6947D-31	SMA Female	MCX Male	Straight	DC~6GHz	1.20:1(max)	
MA6948B-31	SMA Female	MMCX Female	Straight	DC~6GHz	1.20:1(max)	
MA6948D-31	SMA Female	MMCX Male	Straight	DC~6GHz	1.20:1(max)	
MA6943B-31	SMA Female	SMB Female	Straight	DC~4GHz	1.15:1(max)	
MA6943D-31	SMA Female	SMB Male	Straight	DC~4GHz	1.15:1(max)	
MA6931B-21	SMA Female	BNC Female	Straight	DC~4GHz	1.10:1(max)	
MA6931B-31	SMA Female	BNC Female	Straight	DC~4GHz	1.15:1(max)	
MA6931D-21	SMA Female	BNC Male	Straight	DC~4GHz	1.10:1(max)	
MA6931D-31	SMA Female	BNC Male	Straight	DC~4GHz	1.15:1(max)	
MA6969C-21	SMA Male	SMA Female	Straight	DC~26.5GHz	1.15:1(max)	
MA6969A-31	SMA Male	SMA Male	Straight	DC~18GHz	1.15:1(max)	
MA6969C-31	SMA Male	SMA Female	Straight	DC~18GHz	1.15:1(max)	
MA6969CF01-21	SMA Male	SMA Female	Straight, 4 Hole Flange Mount	DC~26.5GHz	1.15:1(max)	
MA6969CW-21	SMA Male	SMA Female	Right Angle	DC~26.5GHz	1.25:1(max)	
MA6969A-21	SMA Male	SMA Male	Straight	DC~26.5GHz	1.15:1(max)	

MA6969AF01-21	SMA Male	SMA Male	Straight, 4 Hole Flange Mount	DC~26.5GHz	1.15:1(max)
MA6969AW-11	SMA Male	SMA Male	Right Angle	DC~26.5GHz	1.25:1(max)
MA6965C-21	SMA Male	N Female	Straight	DC~18GHz	1.15:1(max)
MA6965C-31	SMA Male	N Female	Straight	DC~18GHz	1.20:1(max)
MA6965CF10-21	SMA Male	N Female	Straight, 4 Hole Flange Mount	DC~18GHz	1.15:1(max)
MA6965CF10-22	SMA Male	N Female	Straight, 4 Hole Flange Mount	DC~18GHz	1.15:1(max)
MA6965A-21	SMA Male	N Male	Straight	DC~18GHz	1.15:1(max)
MA6965A-31	SMA Male	N Male	Straight	DC~18GHz	1.20:1(max)
MA6965AF10-21	SMA Male	N Male	Straight, 4 Hole Flange Mount	DC~18GHz	1.15:1(max)
MA6956C-21	SMA Male	L16 Female	Straight	DC~18GHz	1.15:1(max)
MA6956A-21	SMA Male	L16 Male	Straight	DC~18GHz	1.15:1(max)
MA6942C-31	SMA Male	BMA Female	Straight	DC~18GHz	1.25:1(max)
MA6942A-31	SMA Male	BMA Male	Straight	DC~18GHz	1.25:1(max)
MA6933C-21	SMA Male	TNCA Female	Straight	DC~18GHz	1.15:1(max)
MA6933A-21	SMA Male	TNCA Male	Straight	DC~18GHz	1.15:1(max)
MA6944C-31	SMA Male	SSMB Female	Straight	DC~12GHz	1.20:1(max)
MA6944A-31	SMA Male	SSMB Male	Straight	DC~12GHz	1.20:1(max)
MA6946C-31	SMA Male	SSMC Female	Straight	DC~12GHz	1.20:1(max)
MA6946A-31	SMA Male	SSMC Male	Straight	DC~12GHz	1.20:1(max)
MA6932C-21	SMA Male	TNC Female	Straight	DC~11GHz	1.15:1(max)
MA6932A-21	SMA Male	TNC Male	Straight	DC~11GHz	1.15:1(max)
MA6932C-31	SMA Male	TNC Female	Straight	DC~11GHz	1.20:1(max)
MA6932A-31	SMA Male	TNC Male	Straight	DC~11GHz	1.20:1(max)
MA6941C-31	SMA Male	1.0-2.3 Female	Straight	DC~10GHz	1.25:1(max)
MA6941A-31	SMA Male	1.0-2.3 Male(Snap-on)	Straight	DC~10GHz	1.25:1(max)
MA6941A-32	SMA Male	1.0-2.3 Male(Slide-in)	Straight	DC~10GHz	1.25:1(max)
MA6945C-31	SMA Male	SMC Female	Straight	DC~10GHz	1.25:1(max)
MA6945A-31	SMA Male	SMC Male	Straight	DC~10GHz	1.25:1(max)
MA6947C-31	SMA Male	MCX Female	Straight	DC~6GHz	1.20:1(max)
MA6947A-31	SMA Male	MCX Male	Straight	DC~6GHz	1.20:1(max)
MA6948C-31	SMA Male	MMCX Female	Straight	DC~6GHz	1.20:1(max)
MA6948A-31	SMA Male	MMCX Male	Straight	DC~6GHz	1.20:1(max)
MA6943C-31	SMA Male	SMB Female	Straight	DC~4GHz	1.15:1(max)
MA6943A-31	SMA Male	SMB Male	Straight	DC~4GHz	1.15:1(max)
MA6931C-21	SMA Male	BNC Female	Straight	DC~4GHz	1.10:1(max)
MA6931C-31	SMA Male	BNC Female	Straight	DC~4GHz	1.15:1(max)
MA6931A-21	SMA Male	BNC Male	Straight	DC~4GHz	1.10:1(max)
MA6931A-31	SMA Male	BNC Male	Straight	DC~4GHz	1.15:1(max)

N Adapters

P/N	Connector 1	Connector 2	Description	Frequency	VSWR
MA6565B-21	N Female	N Female	Straight	DC~18GHz	1.15:1(max)
MA6565B-31	N Female	N Female	Straight	DC~18GHz	1.20:1(max)
MA6565B-32	N Female	N Female	Straight	DC~12.4GHz	1.15:1(max)
MA6565BF10-21	N Female	N Female	Straight, 4 Hole Flange Mount	DC~18GHz	1.15:1(max)
MA6565BY-21	N Female	N Female	Straight, Bulkhead Mount	DC~18GHz	1.15:1(max)
MA6565BW-11	N Female	N Female	Right Angle	DC~18GHz	1.25:1(max)
MA6565DF10-21	N Female	N Male	Straight, 4 Hole Flange Mount	DC~18GHz	1.15:1(max)
MA6556B-21	N Female	L16 Female	Straight	DC~18GHz	1.15:1(max)
MA6556D-21	N Female	L16 Male	Straight	DC~18GHz	1.15:1(max)
MA6535B-21	N Female	7mm Sexless	Straight	DC~18GHz	1.15:1(max)
MA6533B-21	N Female	TNCA Female	Straight	DC~18GHz	1.15:1(max)
MA6533BF10-21	N Female	TNCA Female	Straight, Bulkhead Mount	DC~18GHz	1.15:1(max)
MA6533D-21	N Female	TNCA Male	Straight	DC~18GHz	1.15:1(max)
MA6532B-21	N Female	TNC Female	Straight	DC~11GHz	1.15:1(max)
MA6532B-31	N Female	TNC Female	Straight	DC~11GHz	1.20:1(max)
MA6532D-21	N Female	TNC Male	Straight	DC~11GHz	1.15:1(max)

MA6532D-31	N Female	TNC Male	Straight	DC~11GHz	1.20:1(max)
MA6558B-31	N Female	SC Female	Straight	DC~8GHz	1.15:1(max)
MA6558D-31	N Female	SC Male	Straight	DC~8GHz	1.15:1(max)
MA6547B-31	N Female	MCX Female	Straight	DC~6GHz	1.20:1(max)
MA6547D-31	N Female	MCX Male	Straight	DC~6GHz	1.20:1(max)
MA6531B-21	N Female	BNC Female	Straight	DC~4GHz	1.10:1(max)
MA6531B-31	N Female	BNC Female	Straight	DC~4GHz	1.15:1(max)
MA6531D-21	N Female	BNC Male	Straight	DC~4GHz	1.10:1(max)
MA6531D-31	N Female	BNC Male	Straight	DC~4GHz	1.15:1(max)
MA6565C-21	N Male	N Female	Straight	DC~18GHz	1.15:1(max)
MA6565C-31	N Male	N Female	Straight	DC~18GHz	1.20:1(max)
MA6565CW-11	N Male	N Female	Right Angle	DC~18GHz	1.25:1(max)
MA6565A-21	N Male	N Male	Straight	DC~18GHz	1.15:1(max)
MA6565A-31	N Male	N Male	Straight	DC~18GHz	1.20:1(max)
MA6565AW-11	N Male	N Male	Right Angle	DC~18GHz	1.25:1(max)
MA6566C-21	N Male	L16 Female	Straight	DC~18GHz	1.15:1(max)
MA6566A-21	N Male	L16 Male	Straight	DC~18GHz	1.15:1(max)
MA6535A-21	N Male	7mm Sexless	Straight	DC~18GHz	1.15:1(max)
MA6533C-21	N Male	TNCA Female	Straight	DC~18GHz	1.15:1(max)
MA6533A-21	N Male	TNCA Male	Straight	DC~18GHz	1.15:1(max)
MA6532C-21	N Male	TNC Female	Straight	DC~11GHz	1.15:1(max)
MA6532C-31	N Male	TNC Female	Straight	DC~11GHz	1.20:1(max)
MA6532A-21	N Male	TNC Male	Straight	DC~11GHz	1.15:1(max)
MA6532A-31	N Male	TNC Male	Straight	DC~11GHz	1.20:1(max)
MA6558C-31	N Male	SC Female	Straight	DC~8GHz	1.15:1(max)
MA6558A-31	N Male	SC Male	Straight	DC~8GHz	1.15:1(max)
MA6547C-31	N Male	MCX Female	Straight	DC~6GHz	1.20:1(max)
MA6547A-31	N Male	MCX Male	Straight	DC~6GHz	1.20:1(max)
MA6531C-21	N Male	BNC Female	Straight	DC~4GHz	1.10:1(max)
MA6531A-21	N Male	BNC Male	Straight	DC~4GHz	1.10:1(max)
MA6531C-31	N Male	BNC Female	Straight	DC~4GHz	1.15:1(max)
MA6531A-31	N Male	BNC Male	Straight	DC~4GHz	1.15:1(max)

L16 Adapters

P/N	Connector 1	Connector 2	Description	Frequency	VSWR
MA5656B-31	L16 Female	L16 Female	Straight	DC~18GHz	1.20:1(max)
MA5632B-31	L16 Female	TNC Female	Straight	DC~11GHz	1.15:1(max)
MA5632D-31	L16 Female	TNC Male	Straight	DC~11GHz	1.15:1(max)
MA5656C-31	L16 Male	L16 Female	Straight	DC~18GHz	1.20:1(max)
MA5656A-31	L16 Male	L16 Male	Straight	DC~18GHz	1.20:1(max)
MA5633C-21	L16 Male	TNCA Female	Straight	DC~18GHz	1.25:1(max)
MA5633A-21	L16 Male	TNCA Male	Straight	DC~18GHz	1.25:1(max)
MA5632C-31	L16 Male	TNC Female	Straight	DC~11GHz	1.15:1(max)
MA5632A-31	L16 Male	TNC Male	Straight	DC~11GHz	1.15:1(max)
MA5658C-31	L16 Male	SC Female	Straight	DC~8GHz	1.15:1(max)
MA5658A-31	L16 Male	SC Male	Straight	DC~8GHz	1.15:1(max)
MA5631C-31	L16 Male	BNC Female	Straight	DC~4GHz	1.15:1(max)
MA5631A-31	L16 Male	BNC Male	Straight	DC~4GHz	1.15:1(max)

7mm Adapters

P/N	Connector 1	Connector 2	Description	Frequency	VSWR
MA3535-11	7mm Sexless	7mm Sexless	Straight	DC~18GHz	1.15:1(max)

TNCA Adapters

P/N	Connector 1	Connector 2	Description	Frequency	VSWR
MA3333B-21	TNCA Female	TNCA Female	Straight	DC~18GHz	1.25:1(max)
MA3333BF09-21	TNCA Female	TNCA Female	Straight, 4 Hole Flange Mount	DC~18GHz	1.25:1(max)
MA3333BY-21	TNCA Female	TNCA Female	Straight, Bulkhead Mount	DC~18GHz	1.25:1(max)

MA3333C-21	TNCA Male	TNCA Female	Straight	DC~18GHz	1.25:1(max)
MA3333A-21	TNCA Male	TNCA Male	Straight	DC~18GHz	1.25:1(max)
TNC Adapters					
P/N	Connector 1	Connector 2	Description	Frequency	VSWR
MA3232B-21	TNC Female	TNC Female	Straight	DC~11GHz	1.15:1(max)
MA3232C-21	TNC Male	TNC Female	Straight	DC~11GHz	1.15:1(max)
MA3232A-21	TNC Male	TNC Male	Straight	DC~11GHz	1.15:1(max)
SC Adapters					
P/N	Connector 1	Connector 2	Description	Frequency	VSWR
MA5858B-31	SC Female	SC Female	Straight	DC~8GHz	1.15:1(max)
MA5858C-31	SC Male	SC Female	Straight	DC~8GHz	1.15:1(max)
MA5858A-31	SC Male	SC Male	Straight	DC~8GHz	1.15:1(max)
MMCX Adapters					
P/N	Connector 1	Connector 2	Description	Frequency	VSWR
MA4848B-31	MMCX Female	MMCX Female	Straight	DC~6GHz	1.20:1(max)
MA4847B-31	MMCX Female	MCX Female	Straight	DC~6GHz	1.20:1(max)
MA4847D-31	MMCX Female	MCX Male	Straight	DC~6GHz	1.20:1(max)
MA4848C-31	MMCX Male	MMCX Female	Straight	DC~6GHz	1.20:1(max)
MA4848A-31	MMCX Male	MMCX Male	Straight	DC~6GHz	1.20:1(max)
MA4847C-31	MMCX Male	MCX Female	Straight	DC~6GHz	1.20:1(max)
MA4847A-31	MMCX Male	MCX Male	Straight	DC~6GHz	1.20:1(max)
BNC Adapters					
P/N	Connector 1	Connector 2	Description	Frequency	VSWR
MA3131B-21	BNC Female	BNC Female	Straight	DC~4GHz	1.10:1(max)
MA3131B-31	BNC Female	BNC Female	Straight	DC~4GHz	1.15:1(max)
MA3131C-21	BNC Male	BNC Female	Straight	DC~4GHz	1.10:1(max)
MA3131A-21	BNC Male	BNC Male	Straight	DC~4GHz	1.10:1(max)
MA3131C-31	BNC Male	BNC Female	Straight	DC~4GHz	1.15:1(max)
MA3131A-31	BNC Male	BNC Male	Straight	DC~4GHz	1.15:1(max)

Low-PIM Adapters



Low-PIM Adapters Selection Matrix

Connector2 \ Connector1	7/16	4.1/9.5	N
7/16	√		
4.1/9.5	√	√	N
N	√	√	√
SMA	√		

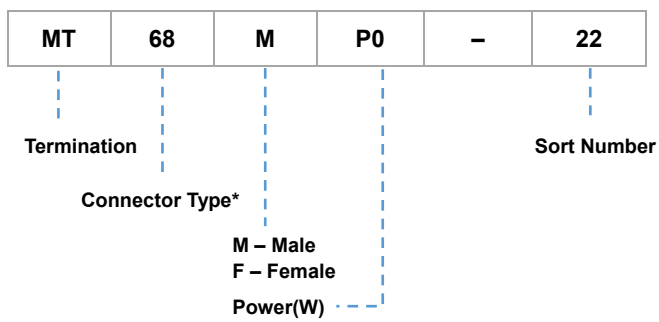
Low-PIM Adapters

7/16 Low-PIM Adapters						
P/N	Connector 1	Connector 2	Description	Frequency	VSWR	PIM3 (2*43dBm)
MA3434B-LP	7/16 Female	7/16 Female	Straight	DC~7.5GHz	1.15:1(max)	≤-165dBc@1800MHz
MA3434BF12-LP	7/16 Female	7/16 Female	Straight, 4 Hole Flange Mount	DC~7.5GHz	1.15:1(max)	≤-165dBc@1800MHz
MA3434BY-LP	7/16 Female	7/16 Female	Straight, Bulkhead Mount	DC~7.5GHz	1.15:1(max)	≤-165dBc@1800MHz
MA3436B-LP	7/16 Female	4.1/9.5 Female	Straight	DC~7.5GHz	1.15:1(max)	≤-165dBc@1800MHz
MA3436D-LP	7/16 Female	4.1/9.5 Male	Straight	DC~7.5GHz	1.15:1(max)	≤-165dBc@1800MHz
MA3465B-LP	7/16 Female	N Female	Straight	DC~7.5GHz	1.25:1(max)	≤-165dBc@1800MHz
MA3465BF11-LP	7/16 Female	N Female	Straight, 4 Hole Flange Mount	DC~7.5GHz	1.15:1(max)	≤-165dBc@1800MHz
MA3465BY-LP	7/16 Female	N Female	Straight, Bulkhead Mount	DC~7.5GHz	1.20:1(max)	≤-165dBc@1800MHz
MA3465D-LP	7/16 Female	N Male	Straight	DC~7.5GHz	1.25:1(max)	≤-165dBc@1800MHz
MA3469B-LP	7/16 Female	SMA Female	Straight	DC~7.5GHz	1.15:1(max)	≤-165dBc@1800MHz
MA3469D-LP	7/16 Female	SMA Male	Straight	DC~7.5GHz	1.15:1(max)	≤-165dBc@1800MHz
MA3434C-LP	7/16 Male	7/16 Female	Straight	DC~7.5GHz	1.15:1(max)	≤-165dBc@1800MHz
MA3434A-LP	7/16 Male	7/16 Male	Straight	DC~7.5GHz	1.15:1(max)	≤-165dBc@1800MHz
MA3436C-LP	7/16 Male	4.1/9.5 Female	Straight	DC~7.5GHz	1.15:1(max)	≤-165dBc@1800MHz
MA3436A-LP	7/16 Male	4.1/9.5 Male	Straight	DC~7.5GHz	1.15:1(max)	≤-165dBc@1800MHz
MA3465C-LP	7/16 Male	N Female	Straight	DC~7.5GHz	1.25:1(max)	≤-165dBc@1800MHz
MA3465A-LP	7/16 Male	N Male	Straight	DC~7.5GHz	1.25:1(max)	≤-165dBc@1800MHz
MA3469C-LP	7/16 Male	SMA Female	Straight	DC~7.5GHz	1.15:1(max)	≤-165dBc@1800MHz
MA3469A-LP	7/16 Male	SMA Male	Straight	DC~7.5GHz	1.15:1(max)	≤-165dBc@1800MHz
4.1/9.5 Low-PIM Adapters						
P/N	Connector 1	Connector 2	Description	Frequency	VSWR	PIM3 (2*43dBm)
MA3636B-LP	4.1/9.5 Female	4.1/9.5 Female	Straight	DC~14GHz	1.15:1(max)	≤-165dBc@1800MHz
MA3636BY-LP	4.1/9.5 Female	4.1/9.5 Female	Straight, Bulkhead Mount	DC~14GHz	1.15:1(max)	≤-165dBc@1800MHz
MA3665B-LP	4.1/9.5 Female	N Female	Straight	DC~12.4GHz	1.15:1(max)	≤-165dBc@1800MHz
MA3665BY-LP	4.1/9.5 Female	N Female	Straight, Bulkhead Mount	DC~12.4GHz	1.15:1(max)	≤-165dBc@1800MHz
MA3665D-LP	4.1/9.5 Female	N Male	Straight	DC~12.4GHz	1.15:1(max)	≤-165dBc@1800MHz
MA3636C-LP	4.1/9.5 Male	4.1/9.5 Female	Straight	DC~14GHz	1.15:1(max)	≤-165dBc@1800MHz
MA3636A-LP	4.1/9.5 Male	4.1/9.5 Male	Straight	DC~14GHz	1.15:1(max)	≤-165dBc@1800MHz
MA3665C-LP	4.1/9.5 Male	N Female	Straight	DC~12.4GHz	1.15:1(max)	≤-165dBc@1800MHz
MA3665A-LP	4.1/9.5 Male	N Male	Straight	DC~12.4GHz	1.15:1(max)	≤-165dBc@1800MHz
N Low-PIM Adapters						
P/N	Connector 1	Connector 2	Description	Frequency	VSWR	PIM3 (2*43dBm)
MA6565B-LP	N Female	N Female	Straight	DC~12.4GHz	1.15:1(max)	≤-165dBc@1800MHz
MA6565BF10-LP	N Female	N Female	Straight, 4 Hole Flange Mount	DC~12.4GHz	1.15:1(max)	≤-165dBc@1800MHz
MA6565BY-LP	N Female	N Female	Straight, Bulkhead Mount	DC~12.4GHz	1.15:1(max)	≤-165dBc@1800MHz
MA6565C-LP	N Male	N Female	Straight	DC~12.4GHz	1.15:1(max)	≤-165dBc@1800MHz
MA6565A-LP	N Male	N Male	Straight	DC~12.4GHz	1.15:1(max)	≤-165dBc@1800MHz

RF Coaxial Loads / Terminations



Part Numbering



*Connector Type

2.4mm
2.92mm
SSMA
3.5mm
SMA
N
TNCA

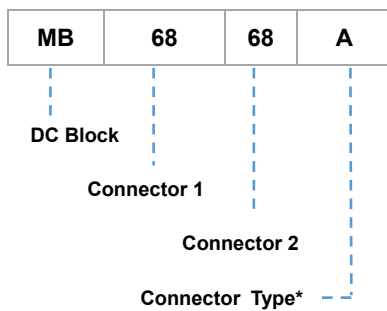
RF Coaxial Loads / Terminations

2.4mm Loads					
P/N	Connector	Gender	Average Power	Frequency	VSWR
MT68MP0	2.4mm	Male	0.5W	DC~40GHz	1.25:1(max)
MT68FP0	2.4mm	Female	0.5W	DC~40GHz	1.25:1(max)
MT68MP0-21	2.4mm	Male	0.5W	DC~50GHz	1.35:1(max)
MT68FP0-21	2.4mm	Female	0.5W	DC~50GHz	1.35:1(max)
MT68MP1	2.4mm	Male	1W	DC~40GHz	1.30:1(max)
MT68FP1	2.4mm	Female	1W	DC~40GHz	1.30:1(max)
MT68MP1-21	2.4mm	Male	1W	DC~50GHz	1.40:1(max)
MT68FP1-21	2.4mm	Female	1W	DC~50GHz	1.40:1(max)
2.92mm Loads					
P/N	Connector	Gender	Average Power	Frequency	VSWR
MT67MP0	2.92mm	Male	0.5W	DC~40GHz	1.20:1(max)
MT67FP0	2.92mm	Female	0.5W	DC~40GHz	1.20:1(max)
MT67MP1	2.92mm	Male	1W	DC~40GHz	1.25:1(max)
MT67FP1	2.92mm	Female	1W	DC~40GHz	1.25:1(max)
SSMA Loads					
P/N	Connector	Gender	Average Power	Frequency	VSWR
MT64MP1	SSMA	Male	1W	DC~40GHz	1.30:1(max)
3.5mm Loads					
P/N	Connector	Gender	Average Power	Frequency	VSWR
MT66MP1	3.5mm	Male	1W	DC~26.5GHz	1.15:1(max)
MT66FP1	3.5mm	Female	1W	DC~26.5GHz	1.15:1(max)
MT66MP2	3.5mm	Male	2W	DC~26.5GHz	1.20:1(max)
MT66FP2	3.5mm	Female	2W	DC~26.5GHz	1.20:1(max)
SMA Loads					
P/N	Connector	Gender	Average Power	Frequency	VSWR
MT69MP1	SMA	Male	1W	DC~26.5GHz	1.15:1(max)
MT69FP1	SMA	Female	1W	DC~26.5GHz	1.15:1(max)
MT69MP2	SMA	Male	2W	DC~26.5GHz	1.20:1(max)
MT69FP2	SMA	Female	2W	DC~26.5GHz	1.20:1(max)
N Loads					
P/N	Connector	Gender	Average Power	Frequency	VSWR
MT65MP2	N	Male	2W	DC~18GHz	1.15:1(max)
MT65FP2	N	Female	2W	DC~18GHz	1.15:1(max)
TNCA Loads					
P/N	Connector	Gender	Average Power	Frequency	VSWR
MT33MP2	TNCA	Male	2W	DC~18GHz	1.25:1(max)

DC Blocks



Part Numbering



*Connector Type

Code	Connector Type
A	Male to Male
B	Female to Female
C	Male to Female
D	Female to Male
M	Male
F	Female

DC Block Selection Matrix

Connector2 \ Connector1	2.4mm	2.92mm	3.5mm	SMA	N
2.4mm	√				
2.92mm		√			
3.5mm			√		
SMA				√	
N					√

DC Blocks

2.4mm DC Blocks

P/N	Connector 1	Connector 2	Block Type	Frequency	VSWR	IL	Voltage
MB6868A	2.4mm Male	2.4mm Male	Inner	30MHz~50GHz	1.30:1(max)	≤0.8dB	50V
MB6868B	2.4mm Female	2.4mm Female	Inner	30MHz~50GHz	1.30:1(max)	≤0.8dB	50V
MB6868C	2.4mm Male	2.4mm Female	Inner	30MHz~50GHz	1.30:1(max)	≤0.8dB	50V

2.92mm DC Blocks

P/N	Connector 1	Connector 2	Block Type	Frequency	VSWR	IL	Voltage
MB6767A	2.92mm Male	2.92mm Male	Inner	30MHz~40GHz	1.30:1(max)	≤0.8dB	50V
MB6767B	2.92mm Female	2.92mm Female	Inner	30MHz~40GHz	1.30:1(max)	≤0.8dB	50V
MB6767C	2.92mm Male	2.92mm Female	Inner	30MHz~40GHz	1.30:1(max)	≤0.8dB	50V

3.5mm DC Blocks

P/N	Connector 1	Connector 2	Block Type	Frequency	VSWR	IL	Voltage
MB6666A	3.5mm Male	3.5mm Male	Inner	30MHz~26.5GHz	1.25:1(max)	≤0.6dB	50V
MB6666B	3.5mm Female	3.5mm Female	Inner	30MHz~26.5GHz	1.25:1(max)	≤0.6dB	50V
MB6666C	3.5mm Male	3.5mm Female	Inner	30MHz~26.5GHz	1.25:1(max)	≤0.6dB	50V

SMA DC Blocks

P/N	Connector 1	Connector 2	Block Type	Frequency	VSWR	IL	Voltage
MB6969A	SMA Male	SMA Male	Inner	30MHz~26.5GHz	1.20:1(max)	≤0.8dB	50V
MB6969B	SMA Female	SMA Female	Inner	30MHz~26.5GHz	1.20:1(max)	≤0.8dB	50V
MB6969C	SMA Male	SMA Female	Inner	30MHz~26.5GHz	1.20:1(max)	≤0.8dB	50V

N DC Blocks

P/N	Connector 1	Connector 2	Block Type	Frequency	VSWR	IL	Voltage
MB6565A	N Male	N Male	Inner	10MHz~18GHz	1.25:1(max)	≤0.6dB	50V
MB6565B	N Female	N Female	Inner	10MHz~18GHz	1.25:1(max)	≤0.6dB	50V
MB6565C	N Male	N Female	Inner	10MHz~18GHz	1.25:1(max)	≤0.6dB	50V

Accessories

Torque Wrench

Materials

Handle	Aluminum (blue)
Open-end	Chrome plated steel (Silver)



P/N	Open-end wrench size		Coupling torque		Connector Type
	mm	inch	Nm	in.lbs	
B060T034	6	15/64	0.34	3	SMC
B060T045	6	15/64	0.45	4	1.0mm
B06T056	6.4	1/4	0.56	5	SSMA
B06T090	6.4	1/4	0.9	8	SSMA
B08T056	8	5/16	0.56	5	SMA
B08T090	8	5/16	0.9	8	SMA / 3.5mm / 2.92mm / 2.4mm / 1.85mm
B08T135	8	5/16	1.35	12	SMA / 3.5mm / 2.92mm / 2.4mm / 1.85mm
B140T056	14	0.551	0.56	5	TNC / TNCA
B140T135	14	0.551	1.35	12	TNC / TNCA
B14T056	14.3	9/16	0.56	5	TNC / TNCA
B14T135	14.3	9/16	1.35	12	TNC / TNCA
B16T056	15.9	5/8	0.56	5	TNC / TNCA
B16T135	15.9	5/8	1.35	12	TNC / TNCA
B19T090	19	3/4	0.9	8	N / NMD type
B19T135	19	3/4	1.35	12	N / 7mm
B20T090	20	25/32	0.9	8	N/ NMD type
B20T135	20	25/32	1.35	12	N / 7mm

*Coupling torque is customizable.

Boxes



HW01C1
275*200*80 mm



HW01C2
275*200*80 mm



HW02C3
145*145*60 mm



HW02C4
145*145*60 mm



HA01C5
160*130*65 mm

Technical Description

Part Numbering (General Rules)

Connector	Code
1.0mm	81
1.85mm	61
SMPM (mini-SMP / GPPO)	63
2.4mm	68
2.92mm	67
SSMA	64
SMP (GPO)	62
3.5mm	66
SMA	69
N	65
L16	56
7mm	35
BMA	42
TNCA	33
SSMB	44
SSMC	46
TNC	32
1.0-2.3	41
SMC	45
SC	58
MCX	47
MMCX	48
SMB	43
BNC	31
7/16	34
4.1/9.5	36
NMD1.85mm	71
NMD2.4mm	78
NMD2.92mm	37
NMD3.5mm	76

Connector Type	Code
Male to Male	A
Female to Female	B
Male to Female	C
Female to Male	D
Male	M
Female	F

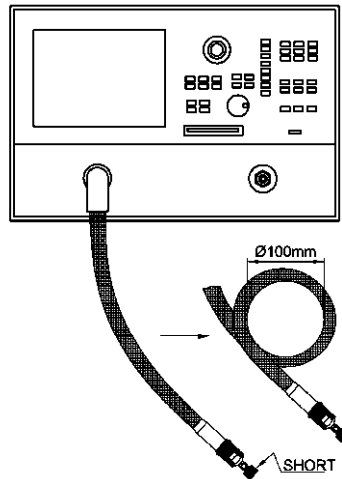
NMD Connectors

					
7mm	N male	NMD3.5 female	NMD2.92 female	NMD2.4 female	NMD1.85 female
					
N female	NMD3.5 male	NMD2.92 male	NMD2.4 male	NMD1.85 male	
					
	3.5mm female	2.92mm female	2.4mm female	1.85mm female	

Stability Test Method

The test cable is terminated with a short circuit and tested on a calibrated vector network analyzer with a mandrel of 10 cm diameter. The one-way transmission phase stability is determined by dividing the two-way transmission phase measurement by two.

The one-way transmission loss stability is determined by dividing the two-way transmission loss measurement by two. The DATA/MEM feature provides an indication of both stabilities.





南京安崇电子有限公司

Nanjing Arance Electronics Co.,Ltd.

地址：南京市江宁区东麒路33号东山国企企业研发园B幢5楼

Address: 5th floor, Unit A, 33 Dongqi Road, Jiangning District,
Nanjing, China 211100

电话(Tel): +86 25 58817997 86163855

传真(Fax): +86 25 58072397

Email: sales@arance-rf.com tech@arance-rf.com

Web: www.arance-rf.com