

Datasheet
Description

Farran Technology offers Antenna Measurement Extension Modules for extending frequency range of customer systems to 325 GHz


Features

- Coverage 40-325GHz
- High output power
- High dynamic range
- Low weight and compact construction
- Compatible with Agilent antenna measurement systems

Applications

- Near and far field antenna measurement

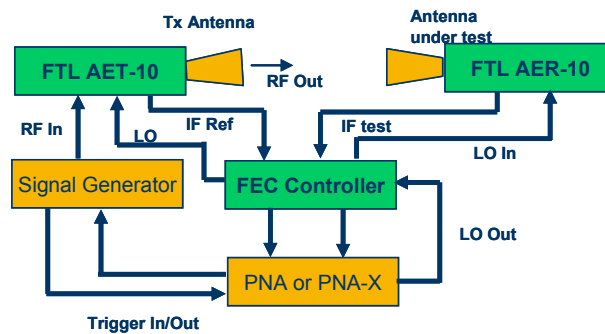
Accessories

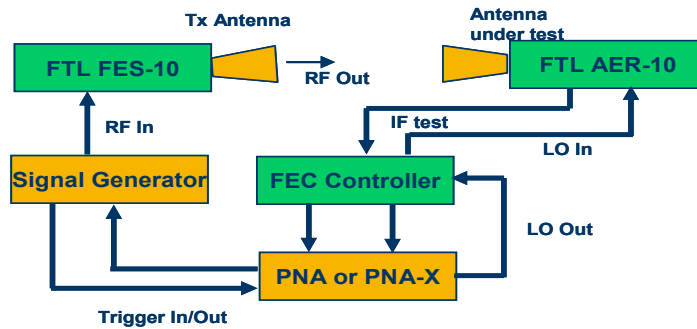
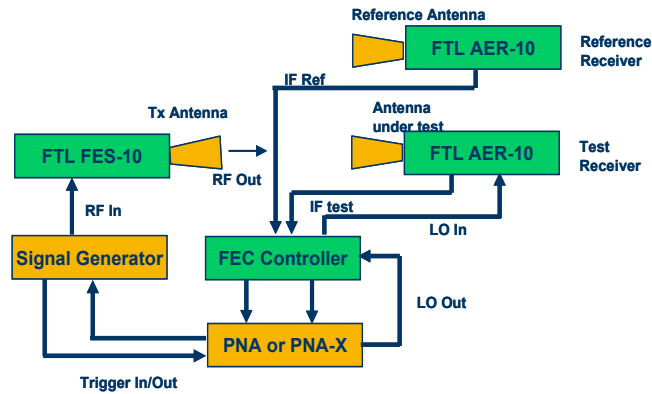
- AC/DC converter with 2m cable
- Manual

Specification (AER-15)	Unit	Min	Typ	Max
RF Frequency In	GHz	50		75
LO Input Frequency	GHz	8.33		12.5
RF Power Input	dBm			0
LO Input Power	dBm	0		10
LO Harmonic Number			6	
RF in VSWR			<1.4:1	
RF Port			WR-15	
IF Frequency	MHz	5		1000
LO/IF In Port			SMA(f)	
Input LO Damage Level	dBm		15	
Minimum Detectable Signal	dBm		<120	
DC Supply			12V@0.5A	

Datasheet

Specification (AET-15)	Unit	Min	Typ	Max
RF Frequency Out	GHz	50		75
RF Frequency In	GHz	12.5		18.75
RF Power Out	dBm		7	
RF Power In	dBm	0		10
LO Harmonic Number			6	
RF Out VSWR			<1.4:1	
RF In VSWR			<1.4:1	
RF Out Port			WR-15	
IF Frequency	MHz	5		1000
LO Input Frequency	GHz	8.33		12.5
RF In Port			SMA(f)	
Input LO Damage Level	dBm		15	
DC Supply			12V@1.5A	

**Antenna Measurement System with Reference Signal
Coupled from Transmit Unit**


Datasheet
Antenna Measurement System without Reference Signal

Antenna Measurement System with Reference Receiver

Notes:

Farran Technology reserves the right to change, without notice, the characteristic data and other specifications applied to this product. The product may be subject to Irish export restrictions.